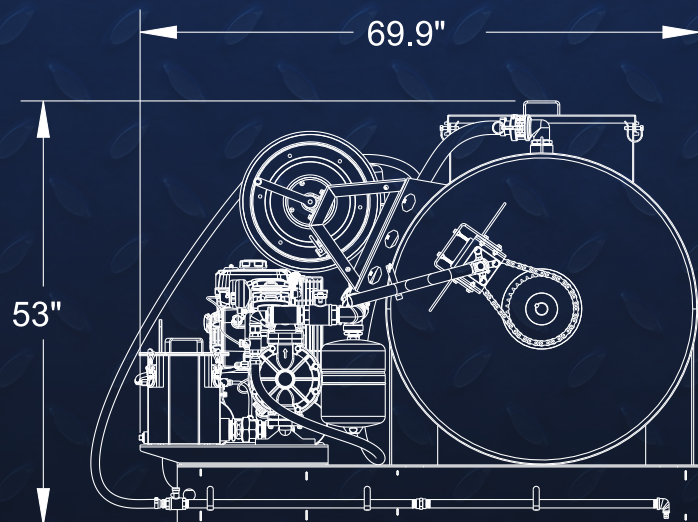
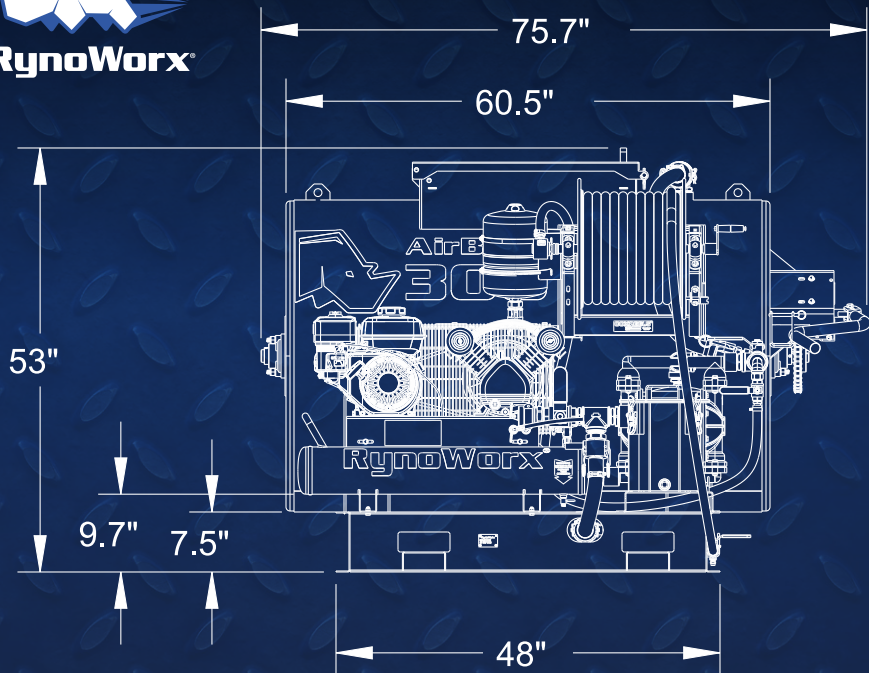




RynoWorx®



RYNOWORX.COM

1-855-382-9611 | sales@rynoworx.com



RynoWorx®



AIRBOSS 300

AIR-OPERATED SPRAY SYSTEM

THE RYNOWORX AIRBOSS 300 AIR-OPERATED SPRAY SYSTEM

The RynoWorx AirBoss 300 Air-Operated Spray System is our newest and most exciting sealer sprayer. This 300-gallon workhorse is designed to spray asphalt emulsion and coal tar sealers with or without aggregate. We deliver it to your door completely assembled, so you can load it up your truck or trailer and start sealcoating right away.

Quality, simplicity, and performance were all in mind while engineering this market disruptor. Sealcoat like a pro with this ground-breaking asphalt sealer spray system.

Get more information at RYNOWORX.COM

SPECIFICATIONS

| | |
|----------------------------------|--|
| Fluid Capacity | 304 US Gallons |
| Steel Thickness | 1/8" Side Walls 1/8" End Caps 1/4" Reinforced Bearing Plates |
| Engine Specifications | 6.5 hp / 10.2 ft/lb Kohler SH 265 |
| Compressor Specifications | 120 psi Operating Pressure 9 Gallon Capacity 12 CFM |
| Pump Specifications | 1.5" Heavy Duty Dual Diaphragm |
| Empty Weight | 1,200 lbs |
| Loaded Weight | 4,500 lbs |
| Product Dimensions | 72" d x 72" w x 53" h |

PRODUCTIVE

- This sealcoating spray system can seal as much as 30,000 sq ft per load with its high-capacity tank
- Ideal for residential and commercial jobs up to 200,000 sq. ft.
- Throttle kick down saves fuel, and helps to reduce down-time

RELIABLE

- Entire body is made from heavy-duty steel and equipped with durable industrial parts
- Powerful 9-gallon compressor, powered by a robust Kohler engine, and a heavy-duty 1.5" dual diaphragm pump
- Hardened steel spray tips for extended durability

EASY TO OPERATE

- Fits in a standard full sized truck bed
- No assembly required
- Oversized manway for easy in-tank servicing
- Easy start Kohler engine with indexable recoil starter

SAFETY BUILT IN

- Curb-side controls keep the operator safely away from passing traffic
- Built in paddle mixer allows for manual agitation of sealer
- Locking pins for manway, hose reel, and paddle mixer