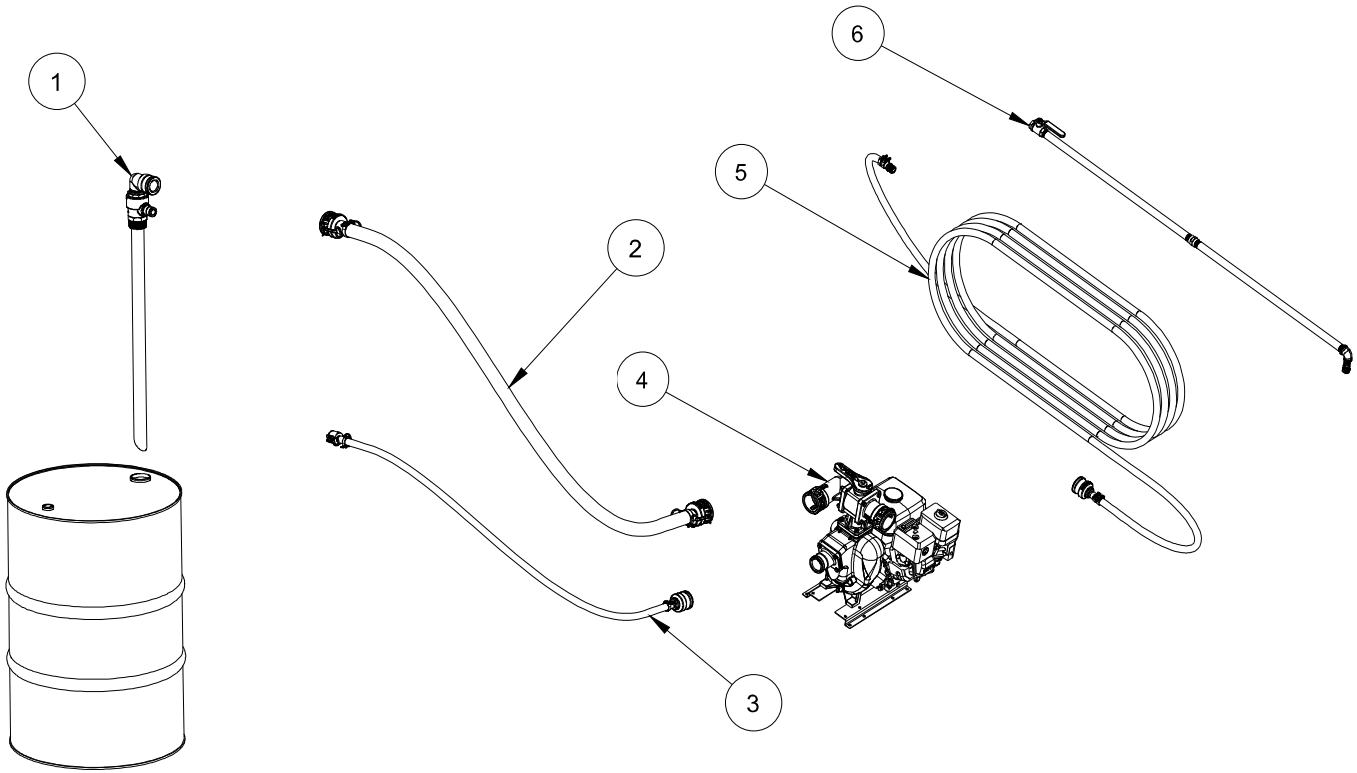


No	P/N	Description
1	RA-FIT-0030	2" NPT Barrel Adapter Assembly
2	RA-HFA-0007	3/4" Barrel System Return Hose Assembly with Fittings
3	RA-HFA-0025	1.5" Barrel System Intake Hose Assembly with Fittings
4	RA-EPF-0001	Engine Pump Fittings Assembly - Premium
5	RA-HFA-0001	3/4" x 50' Spray Wand Hose Assembly
6	RK-SWA-0004	6' x 3/4" Commercial Spray Wand Assy w Ball Valve



(Barrel Not Included)



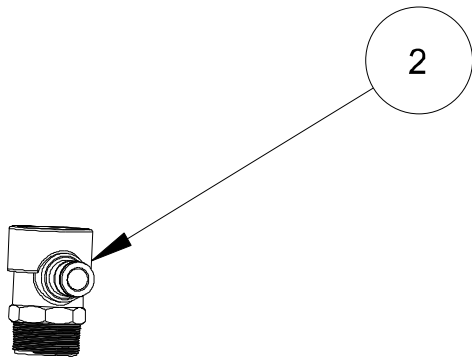
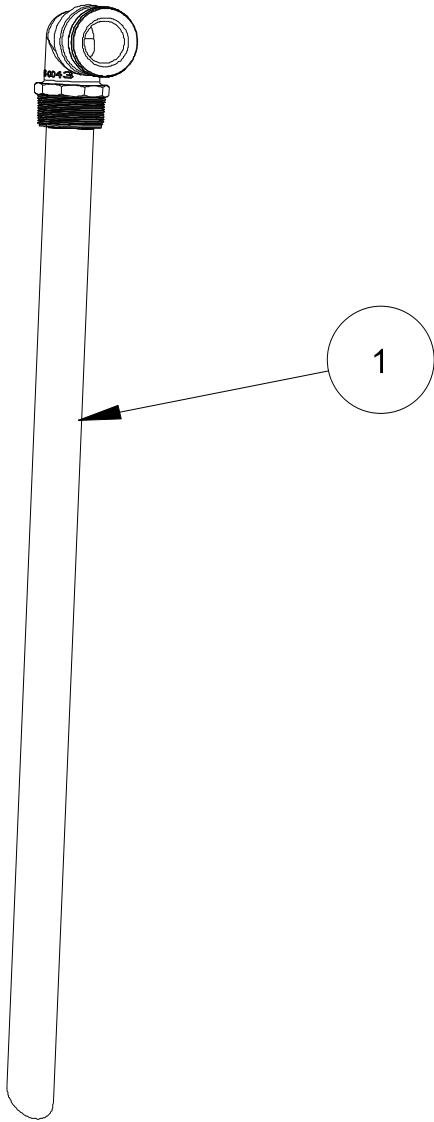
RynoWorx

MPN:
RA-SSY-0004

Model:
RYBSS – Premium Model

Description:
Tank: 55 Gallon Barrel
Engine: Launtop
Pump: Cast Iron

No	P/N	Description
1	RA-FIT-0032	2" NPT Barrel Adapter/Transfer 90° Male Cam Asy
2	RC-FIT-0042	2" NPT Barrel Adapter Tee Body



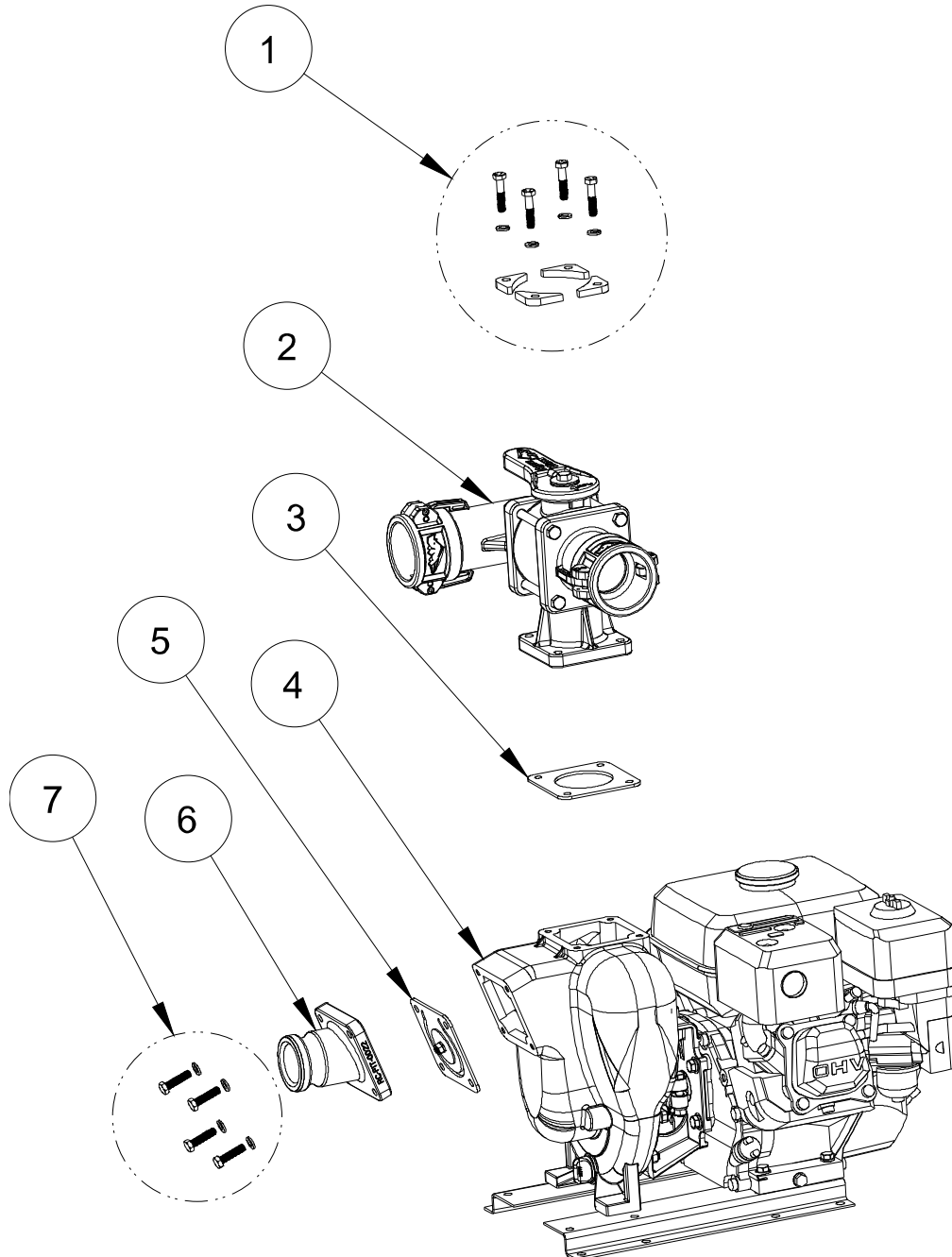
RynoWorx

MPN:
RA-FIT-0030

Model:
Barrel Adapter Assembly

Description:
2" Barrel Adapter assembly

No	P/N	Description
1	RK-FAS-0039	Fastener Kit - Cast Iron Pump Flange with Braces
2	RA-VLV-0010	3 Way 2" Straight-90° Female Camlock Flange Valve
3	RC-GSK-0030	2" Custom Pump Flange Gasket - Red SBR Dur 80 Fabric Finish
4	RA-EPA-0001	Engine Pump Assembly - Premium
5	RC-GSK-0014	Pump Flange Gasket - Pump Intlet Port
6	RC-FIT-0022	2" Angled Male Camlock flange
7	RK-FAS-0022	Fastener Kit - Pump Flange mounting Kit



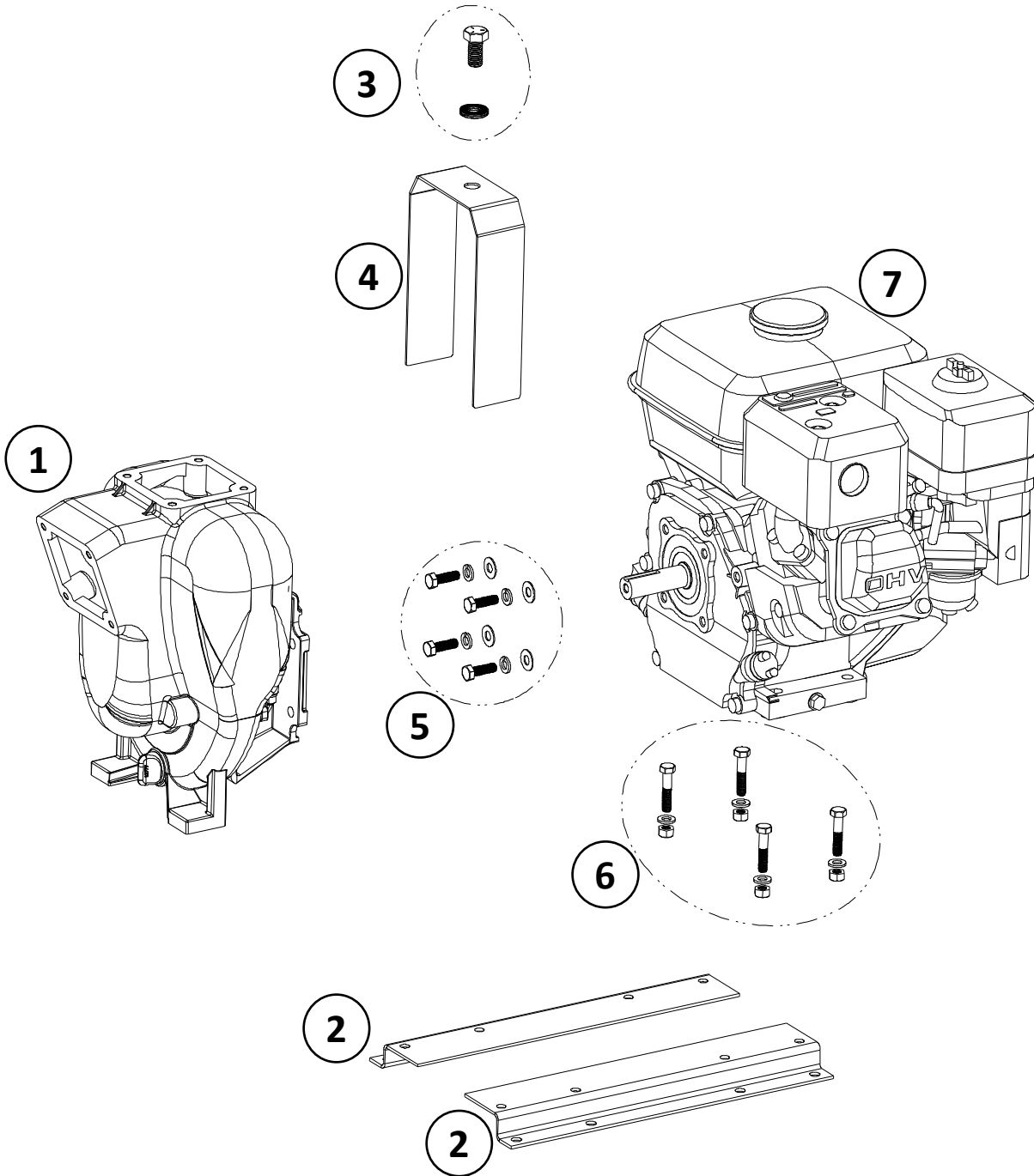
RynoWorx


MPN:
RA-EPF-0001

Model:
Engine Pump – Premium

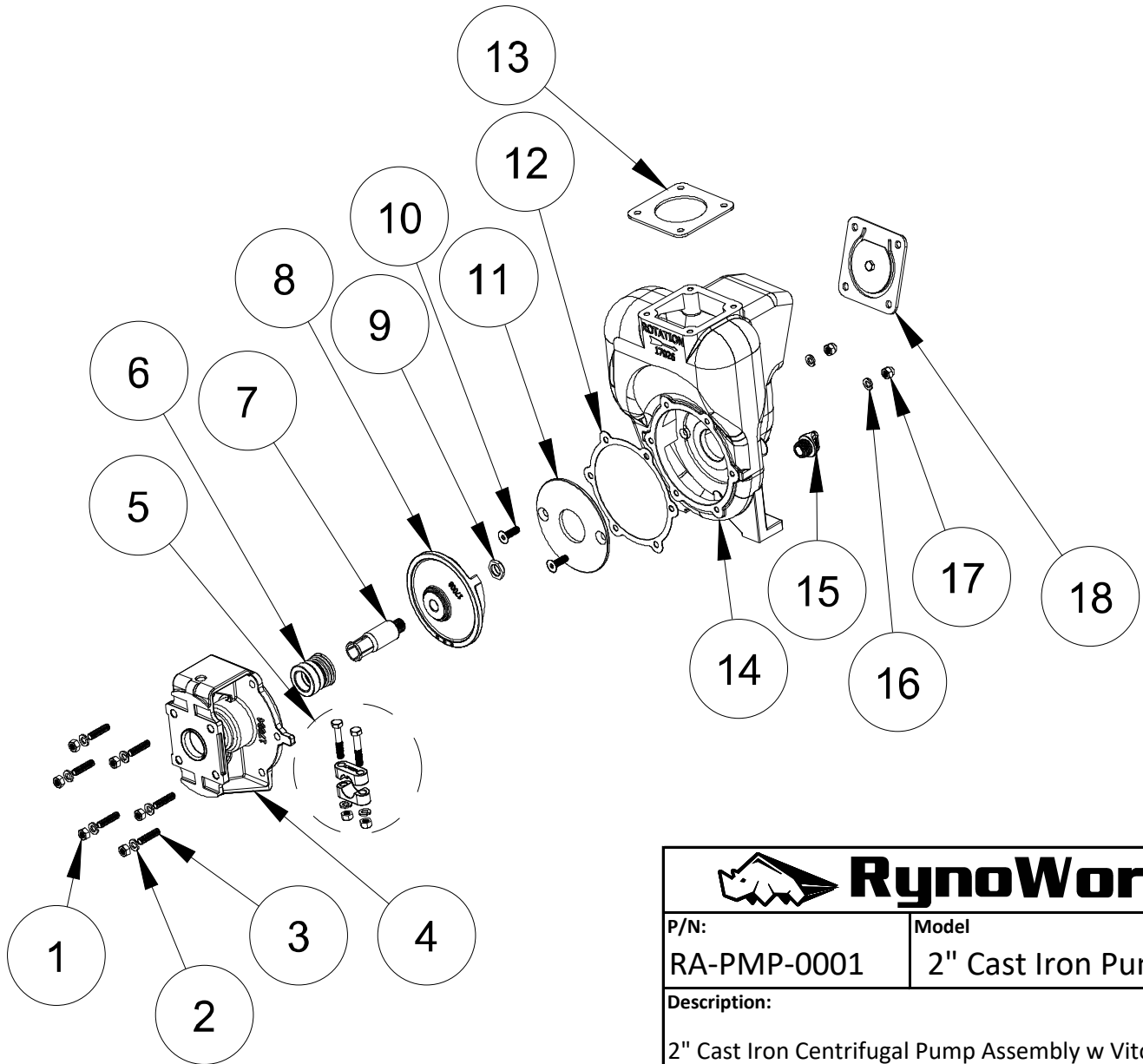
Description:
Engine: Launtop
Pump: Cast Iron


No	P/N	Qty	Description
1	RA-PMP-0001	1	2" Cast Iron Centrifugal Pump Assembly w Viton Seals
2	RC-FAB-0036	2	Pump /Engine Mounting bracket
3	RK-FAS-0104	1	Fastener Kit - Pump Seal Cover
4	RC-FAB-0211	1	Cast Iron Pump - Mechanical Seal Cover
5	RK-FAS-0026	1	Fastener Kit - Engine to Pump (Launtop)
6	RK-FAS-0023	1	Fastener Kit - Pump/ Engine to Mounting Bracket
7	RA-ENG-0001	1	Launtop LT210Q1 Gas Engine, 3/4" Keyed Shaft



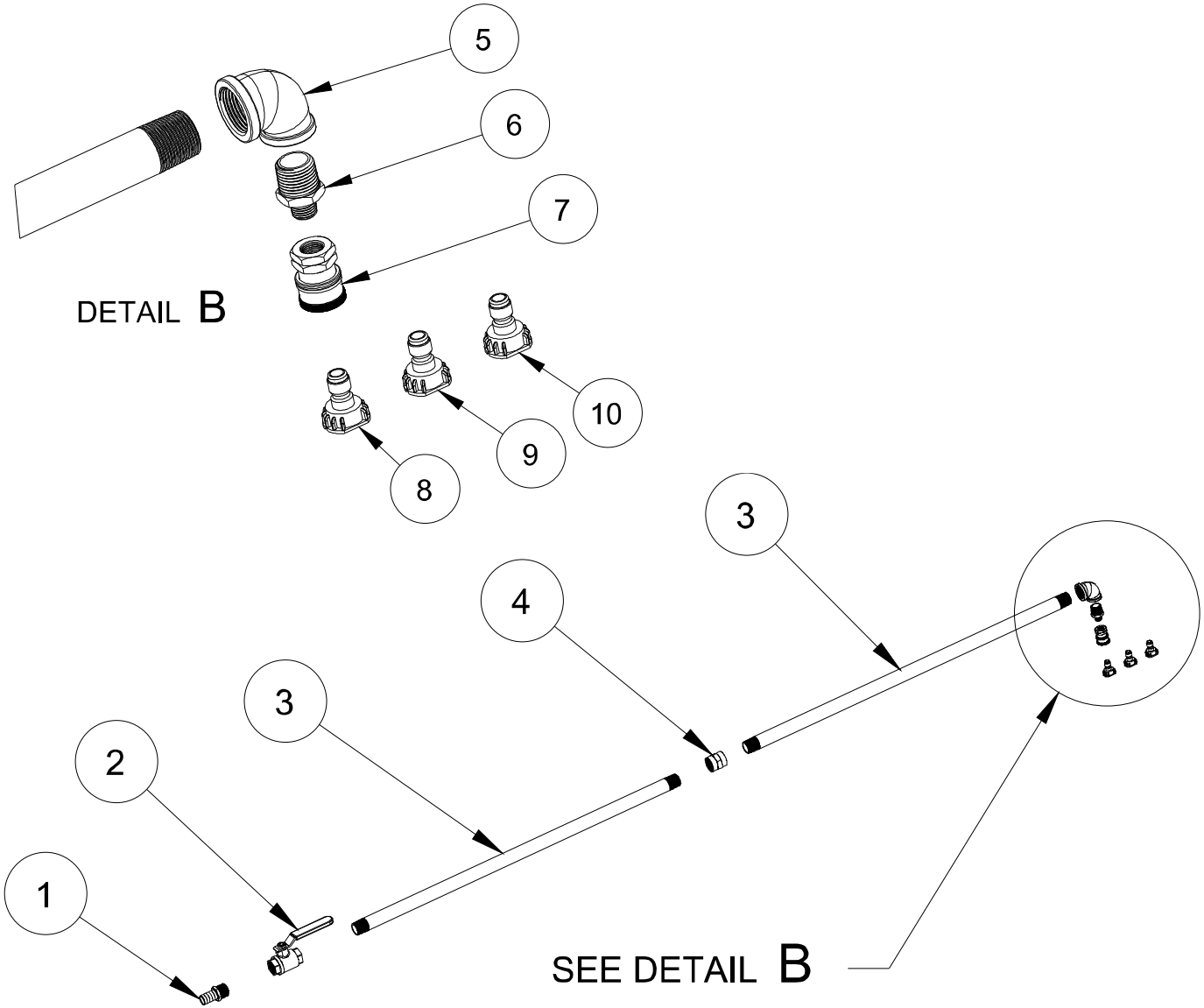
 RynoWorx		
P/N:	Model	Rev:
RA-EPA-0001	Engine Pump - Premium	2
Description:		
Engine: Launtop		
Pump: Cast Iron		


No	P/N	Description
1	RC-NUT-0008	5/16"-18 Nylock Nut-ZP
2	RC-WSH-0009	5/16" Split Lock Washer-ZP
3	RC-HDW-0021	Stud - 5/16" - 18x 1 1/4"
4	RC-FAB-0038	Adapter-Gas Engine
5	RC-CLM-0004	Clamp Assembly, 5/8, 3/4" Shaft
6	RC-GCM-0033	Viton/Tungsten Seal Assembly 3/4" shaft
7	RC-GCM-0034	Sleeve-Drive 3/4"
8	RC-FAB-0042	Impeller - Cast Iron Pump
9	RC-NUT-0013	Nut. Hex 5/8-18 UNF RH
10	RC-HDW-0023	Flat Head 82° CSK. Screw
11	RC-FAB-0040	Wear Plate
12	RC-GSK-0015	Gasket-Adapter
13	RC-GSK-0030	2" Custom Pump Flange Gasket - Red SBR Dur 80 Fabric Finish
14	RC-FAB-0041	Pump Housing, Cast Iron
15	RC-GCM-0036	1/2" Drain Plug- Cast Iron Pump
16	RC-GSK-0017	Acorn Nut O-Ring
17	RC-NUT-0014	5/16"-18 Acorn Nut-ZP
18	RC-GSK-0014	Pump Flange Gasket - Pump Inlet Port



 RynoWorx		
P/N:	Model	Rev:
RA-PMP-0001	2" Cast Iron Pump	1
Description:		
2" Cast Iron Centrifugal Pump Assembly w Viton Seals		

No	P/N	Description
1	RC-FIT-0025	3/4" Barb to 3/4" NPT Swivel Fitting
2	RC-VLV-0009	3/4" NPT Brass Full Port Ball Valve
3	RC-PIP-0003	30" - 3/4" Threaded NPT Aluminum Tube
4	RC-FIT-0010	3/4" NPT Brass Coupler
5	RC-FIT-0011	90° Female 3/4" to 1/2" NPT Elbow
6	RC-FIT-0012	1/2" to 1/4" NPT Brass Nipple
7	RC-FIT-0013	1/4" NPT Quick Connector
8	RC-STP-0002	Quick Connect Spray Tip (2 GPM)
9	RC-STP-0003	Quick Connect Spray Tip (3 GPM)
10	RC-STP-0004	Quick Connect Spray Tip (4 GPM)



 Ryno Worx	
MPN: RK-SWA-0004	Model: Spray Wand – Ball Valve
Description: 3/4" Commercial Spray Wand Assembly with Swivel	