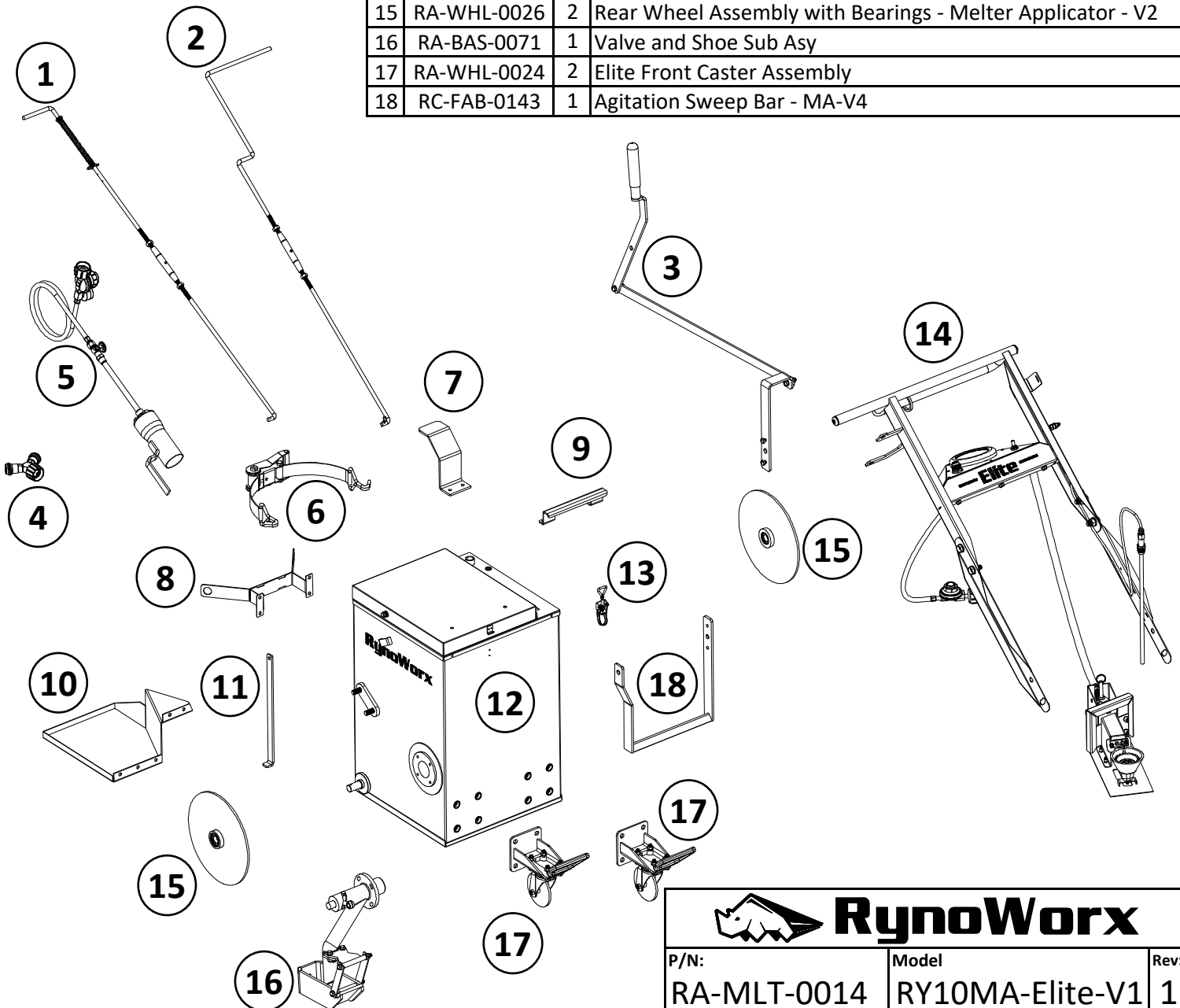


No	P/N	Qty	Description
1	RA-BAS-0059	1	Valve Control Arm Assembly - MA-V4
2	RA-BAS-0060	1	Shoe Control Arm Assembly - MA-V4
3	RA-BAS-0063	1	On-the-Fly Agitation Sub-Assembly - MA-V4
4	RC-GCM-0049	1	Propane Tank Y Splitter / Adaptor
5	RA-GCM-0015	1	MA Torch Complete Assembly
6	RC-STR-0001	1	Propane Tank Ratchet Strap
7	RC-FAB-0147	1	Thermometer Guard - MA-V4
8	RC-FAB-0133	1	Tank Spacer - MA-V4
9	RC-FAB-0151	1	Lid Handle - MA-V4
10	RC-FAB-0132	1	Tank Shelf - MA-V4
11	RC-FAB-0101	1	Melter Lid Support Slider
12	RC-FAB-0130	1	Kettle Body - MA-V4
13	RC-LCH-0001	1	Latch - 10 Gallon Kettle
14	RA-BAS-0064	1	Elite Handle Bar Assembly with Dash, Thermometer, & Burner
15	RA-WHL-0026	2	Rear Wheel Assembly with Bearings - Melter Applicator - V2
16	RA-BAS-0071	1	Valve and Shoe Sub Asy
17	RA-WHL-0024	2	Elite Front Caster Assembly
18	RC-FAB-0143	1	Agitation Sweep Bar - MA-V4

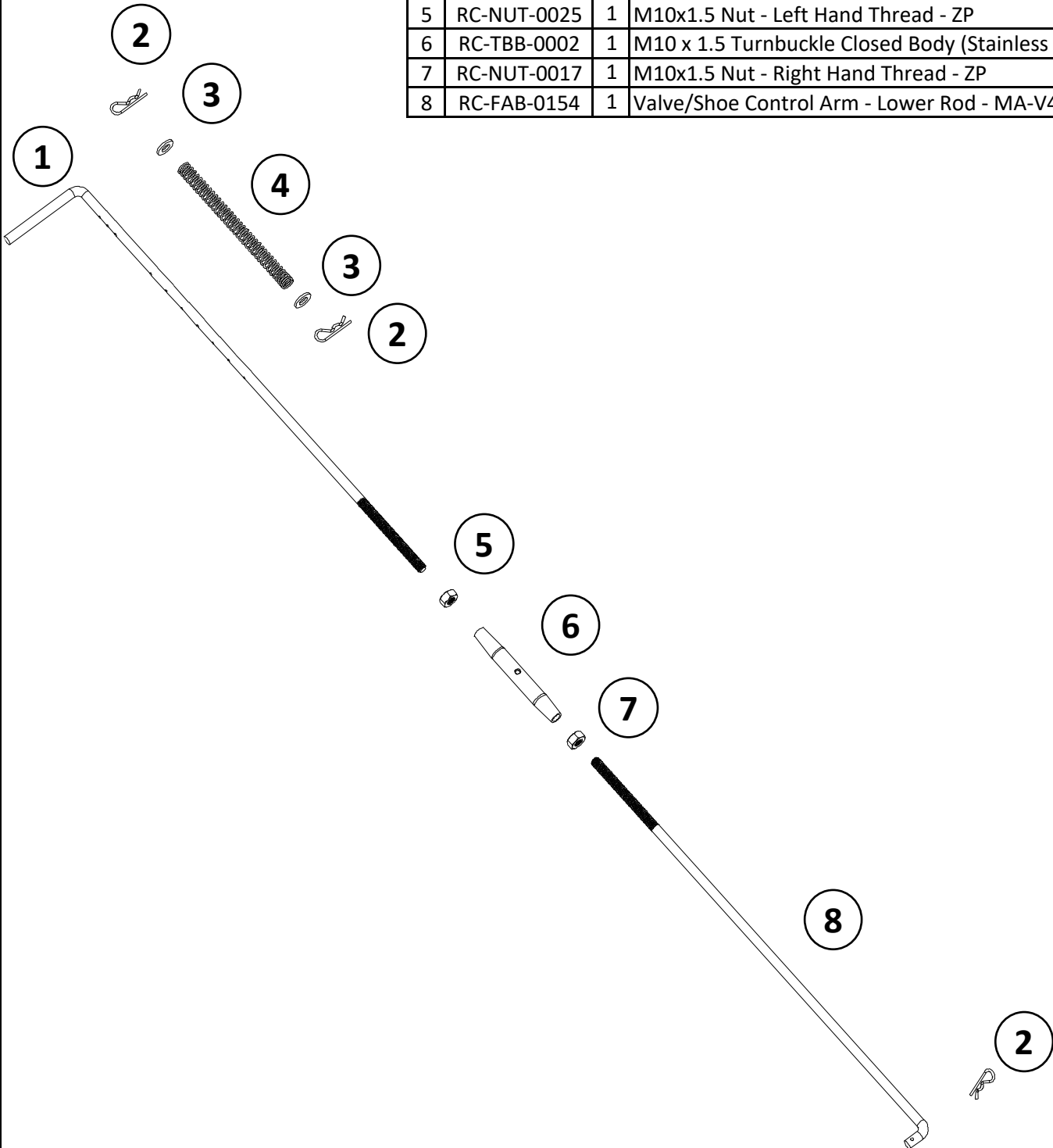


RynoWorx

P/N:	Model	Rev:
RA-MLT-0014	RY10MA-Elite-V1	1

Description:
 RY10MA-Elite - 10 Gallon Burner Fired Melter
 Applicator - Complete Assembly - Version 1

No	P/N	Qty	Description
1	RC-FAB-0152	1	Valve Control Arm - Upper Rod - MA-V4
2	RC-PIN-0007	3	0.093" x 1-5/8" Hairpin Cotter (1/4" - 1/2" Shaft Size) - ZP
3	RC-WSH-0016	2	M10 Flat Washer-ZP
4	RC-SPG-0001	1	Valve Control Compression Spring
5	RC-NUT-0025	1	M10x1.5 Nut - Left Hand Thread - ZP
6	RC-TBB-0002	1	M10 x 1.5 Turnbuckle Closed Body (Stainless Steel)
7	RC-NUT-0017	1	M10x1.5 Nut - Right Hand Thread - ZP
8	RC-FAB-0154	1	Valve/Shoe Control Arm - Lower Rod - MA-V4



RynoWorx

P/N:

RA-BAS-0059

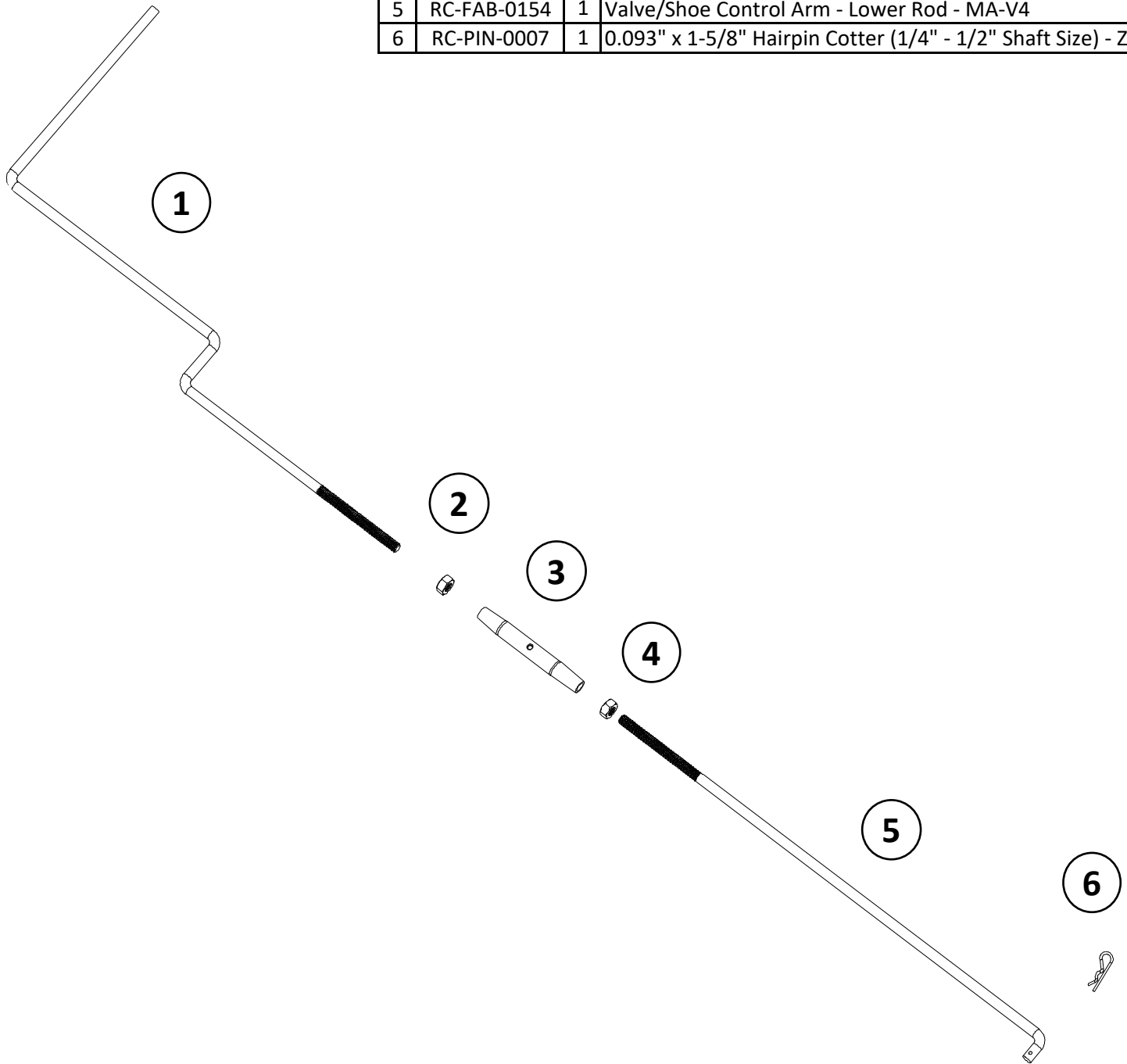
Rev:


1

Description:

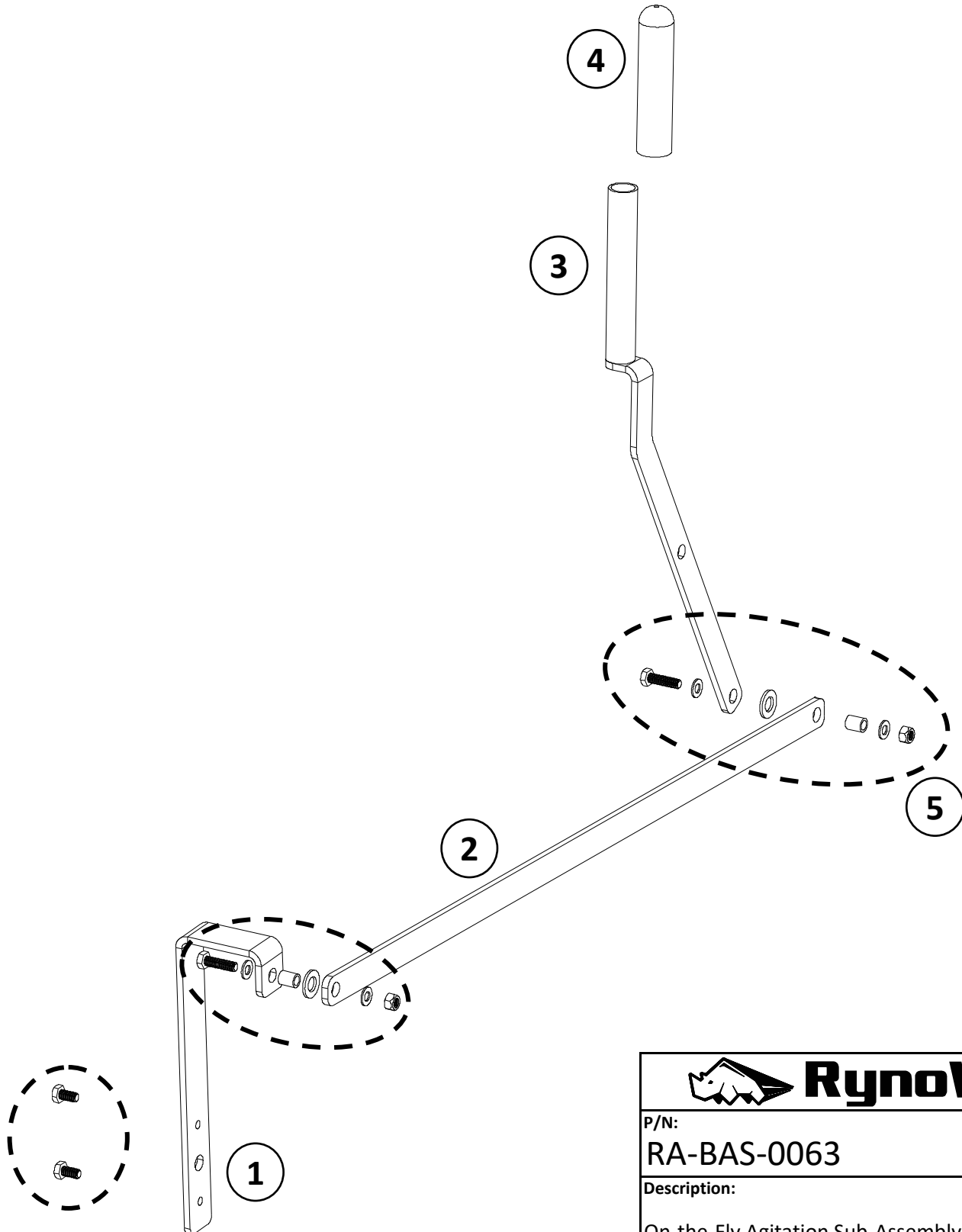
Valve Control Arm Assembly - MA-V4

No	P/N	Qty	Description
1	RC-FAB-0153	1	Shoe Control Arm - Upper Rod - MA-V4
2	RC-NUT-0025	1	M10x1.5 Nut - Left Hand Thread - ZP
3	RC-TBB-0002	1	M10 x 1.5 Turnbuckle Closed Body (Stainless Steel)
4	RC-NUT-0017	1	M10x1.5 Nut - Right Hand Thread - ZP
5	RC-FAB-0154	1	Valve/Shoe Control Arm - Lower Rod - MA-V4
6	RC-PIN-0007	1	0.093" x 1-5/8" Hairpin Cotter (1/4" - 1/2" Shaft Size) - ZP



 RynoWorx	
P/N: RA-BAS-0060	Rev: 1
Description: Shoe Control Arm Assembly - MA-V4	

No	P/N	Qty	Description
1	RC-FAB-0144	1	Agitation Sweep Connector - MA-V4
2	RC-FAB-0145	1	Agitation Linkage - MA-V4
3	RC-FAB-0146	1	Agitation Handle - MA-V4
4	RC-GRP-0001	1	Agitation Handle Grip - 1" OD, 5-1/16" Long
5	RK-FAS-0081	1	Fastener Kit - OTF Agitation Linkage



RynoWorx

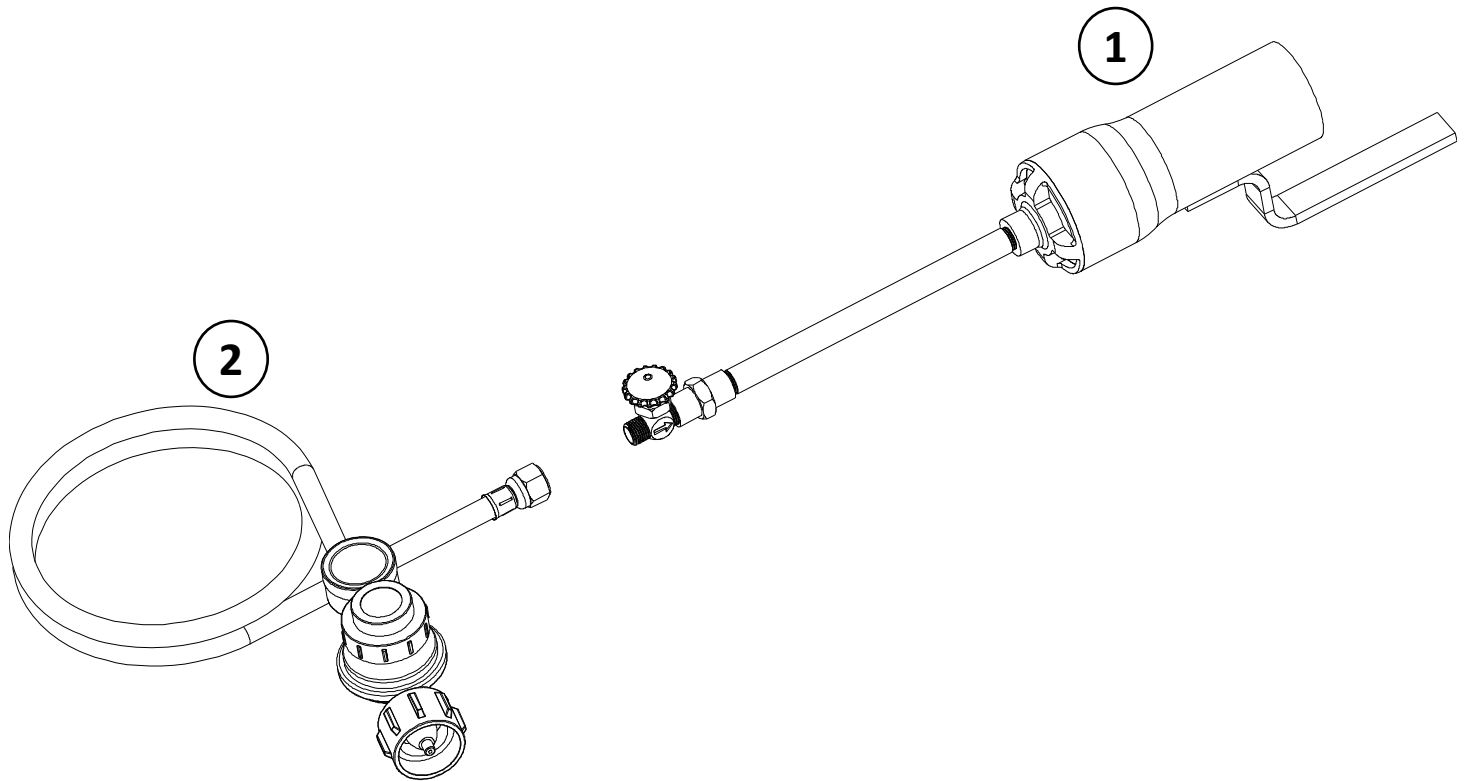
P/N:
RA-BAS-0063

Rev:
1

Description:

On-the-Fly Agitation Sub-Assembly - MA-V4

No	P/N	Qty	Description
1	RC-GCM-0016	1	Torch for Melter Applicator with Valve
2	RC-GCM-0068	1	Regulator and Hose - 0 - 30 Psi with Pressure Gauge (3 m)



RynoWorx

P/N:

RA-GCM-0015

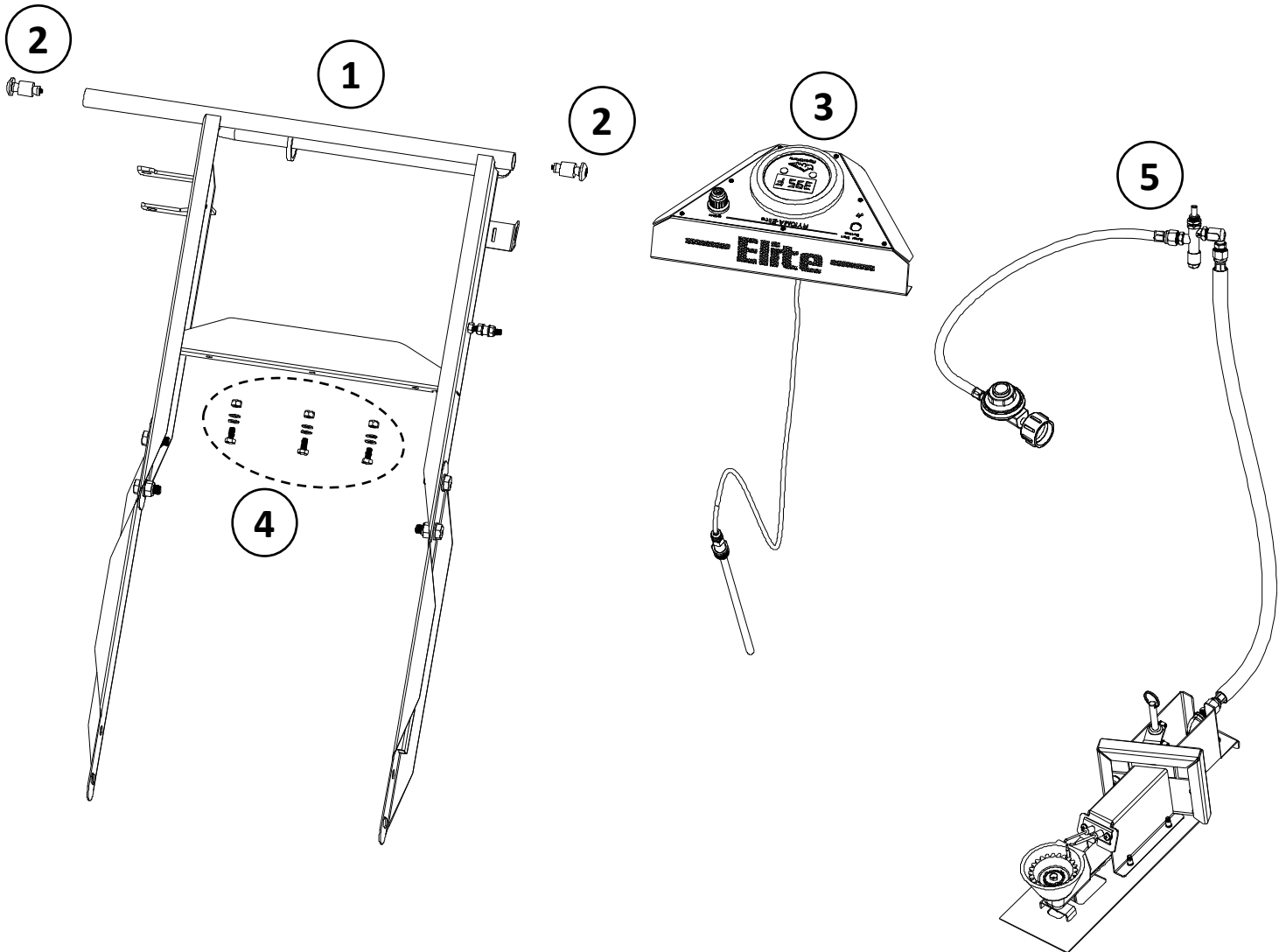
Rev:

1

Description:

MA Torch Complete Assembly

No	P/N	Qty	Description
1	RA-BAS-0056	1	Handle Bar Assembly - MA-V4
2	RK-FAS-0062	2	Fastener Kit - 25 mm Handle Bar Ends
3	RA-BAS-0073	1	Dash/ Thermometer Sub Assembly
4	RK-FAS-0068	1	Fastener Kit - Dash to Handle Bars
5	RA-BRN-0006	1	Burner Tray Complete Assembly - RY10MA-Elite V1



RynoWorx

P/N:

RA-BAS-0064

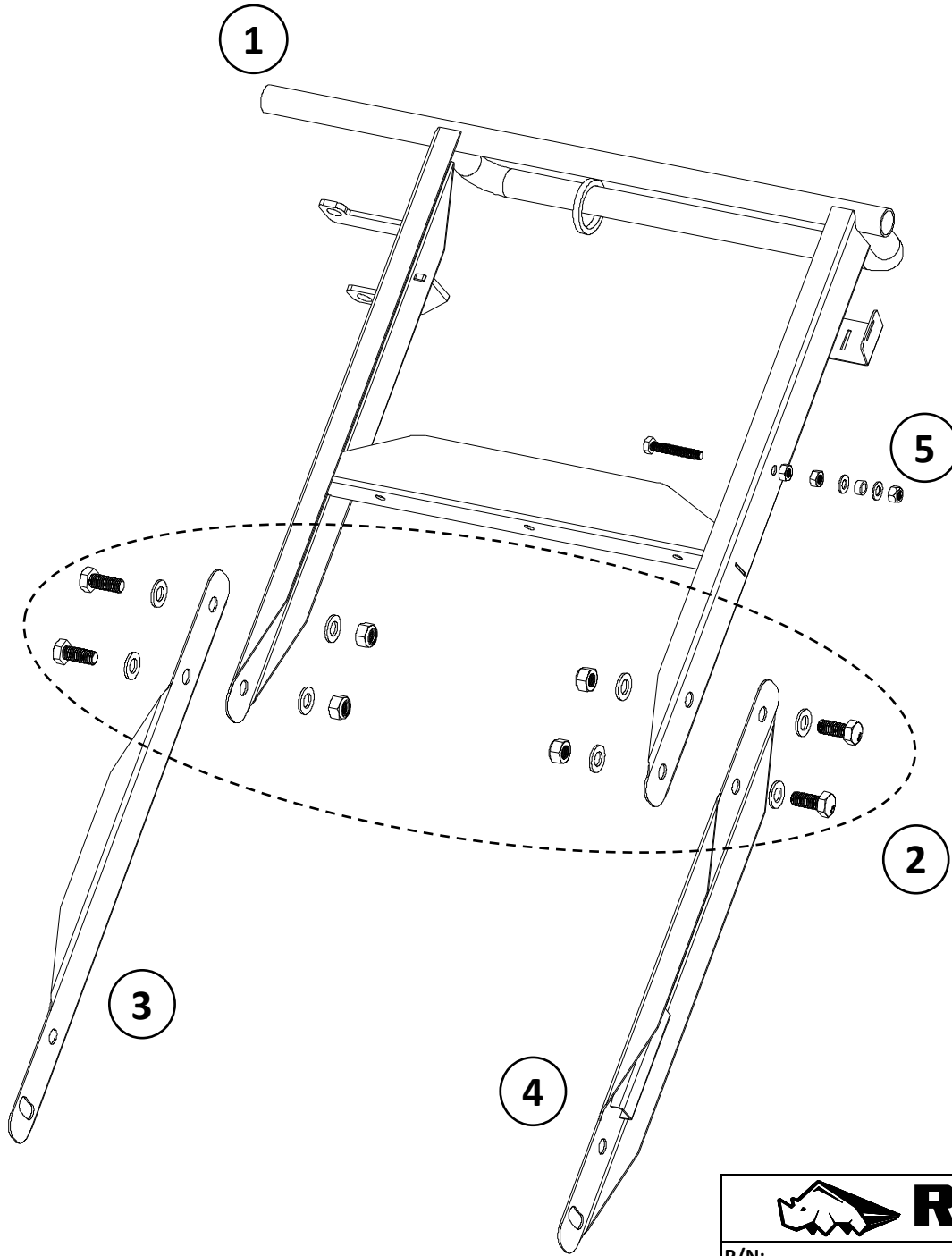
Rev:


1

Description:

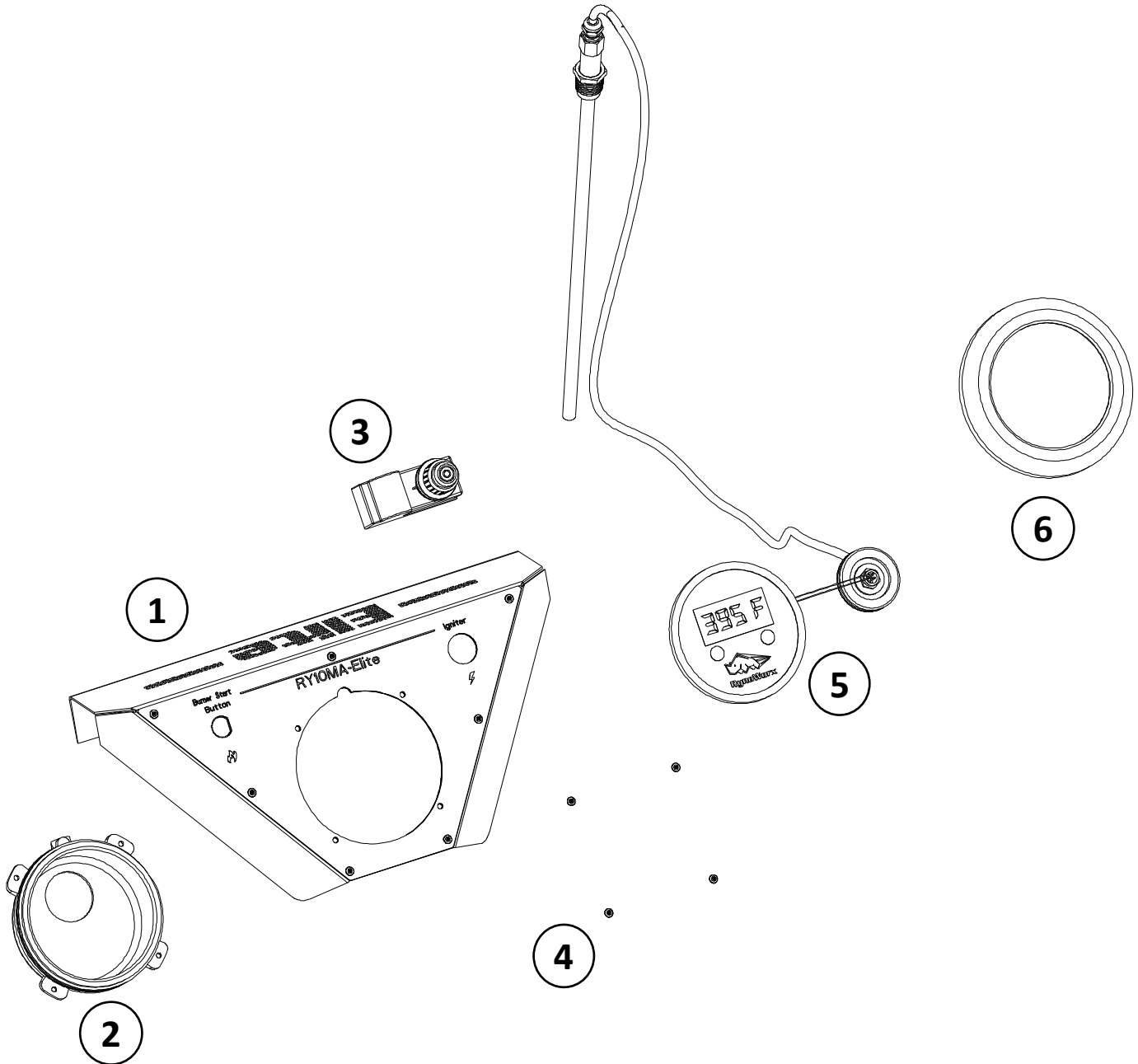
Elite Handle Bar Assembly with Dash, Thermometer, & Burner


No	P/N	Qty	Description
1	RC-FAB-0134	1	Upper Handle Bars - MA-V4
2	RK-FAS-0076	1	Fastener Kit - Handle Bars
3	RC-FAB-0149	1	Lower Handle Bar Left - MA-V4
4	RC-FAB-0135	1	Lower Handle Bar Right - MA-V4
5	RK-FAS-0078	1	Fastener Kit - OTF Agitation - Handle Bar Pivot



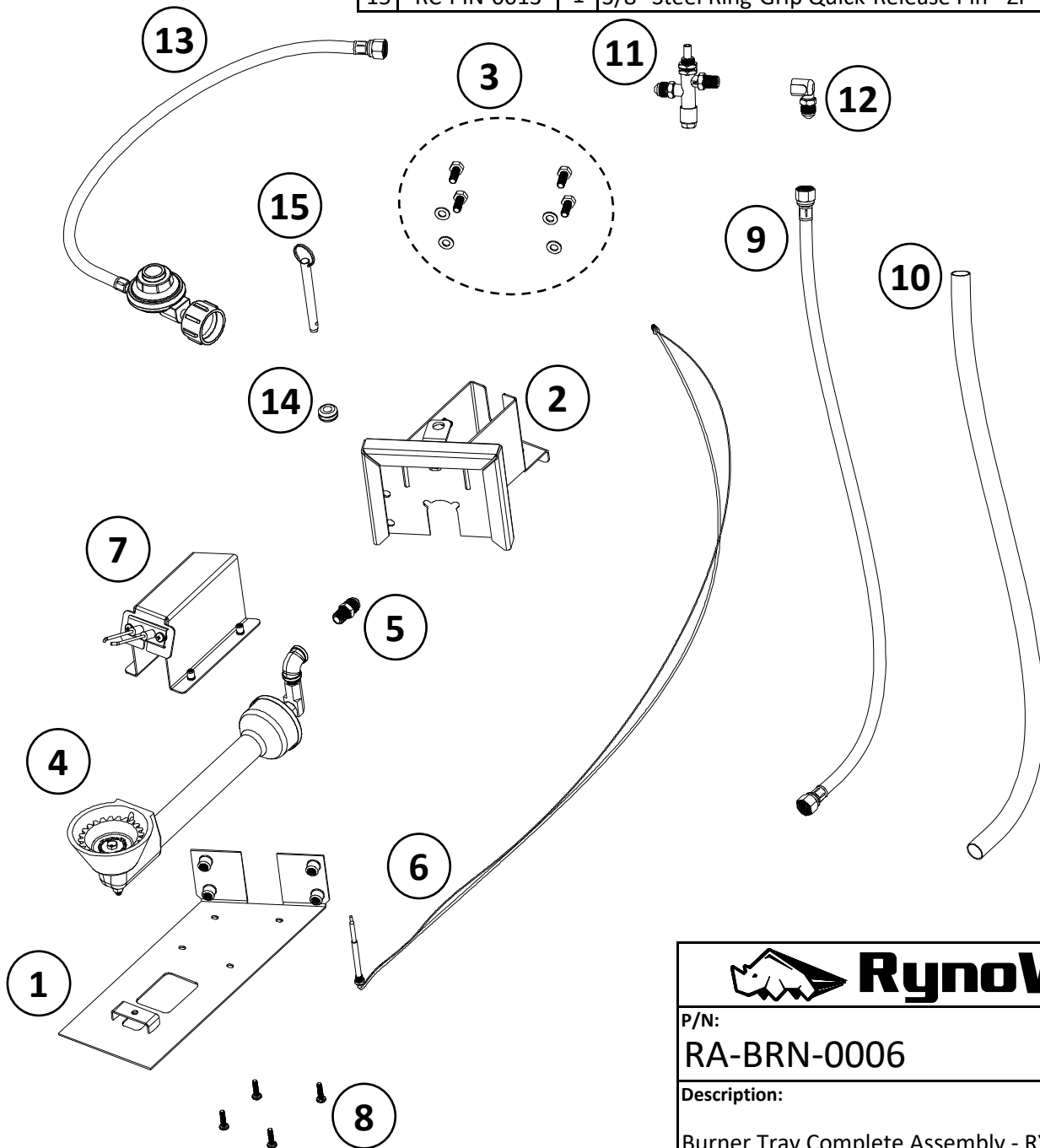
 RynoWorx	
P/N: RA-BAS-0056	Rev: 1
Description: Handle Bar Assembly - MA-V4	

No	P/N	Qty	Description
1	RA-BAS-0066	1	Elite Dash - Frame with Instruction Panel (1.5 mm)
2	RC-FAB-0160	1	Digital Thermometer - Rear Housing
3	RA-GCM-0005	1	Electronic Igniter Switch Assembly
4	RC-RIV-0003	4	1/8" Diameter, for 0.188"-0.25" Material Thickness
5	RA-THM-0002	1	Digital Thermometer Assembly with Batteries
6	RC-FAB-0157	1	Digital Thermometer Aluminum Bezel



 RynoWorx	
P/N: RA-BAS-0073	Rev: 1
Description: Dash/ Thermometer Assembly	

No	P/N	Qty	Description
1	RC-FAB-0139	1	Burner Tray - MA-V4
2	RC-FAB-0140	1	Tray Door - MA-V4
3	RK-FAS-0079	1	Fastener Kit - Burner Tray Door
4	RA-BRN-0007	1	Cast Iron Burner - 11.5" with Fittings (1/4" NPT)
5	RC-FIT-0084	1	Brass Fitting - 1/4" NPT Male - 3/8" Gas Flare
6	RC-TPL-0001	1	Thermocouple - Elite - 140 cm wires
7	RA-BAS-0058	1	Igniter Sub-Assembly - Elite (144 cm wire)
8	RC-HDW-0042	4	Pan Head Phillips - M5x0.8 mm x 20 mm Long
9	RC-HSE-0027	1	Propane Hose - 3/8" Flare Fittings - 80 cm
10	RC-SLV-0008	1	Elite Burner Hose Sleeve
11	RA-VLV-0019	1	Flame Out Valve Assembly - CSA - 30 psi w Flare Fittings
12	RC-FIT-0085	1	Brass Fitting - 90° 1/4" NPT Female to 3/8" Gas Flare
13	RC-REG-0001	1	5 Psi Adjustable Regulator - 83 cm Hose with 3/8" Flare Fitting
14	RC-GSK-0026	1	SBR Rubber Push-In Grommet for 1/2" ID and 3/32"
15	RC-PIN-0013	1	3/8" Steel Ring-Grip Quick-Release Pin - ZP

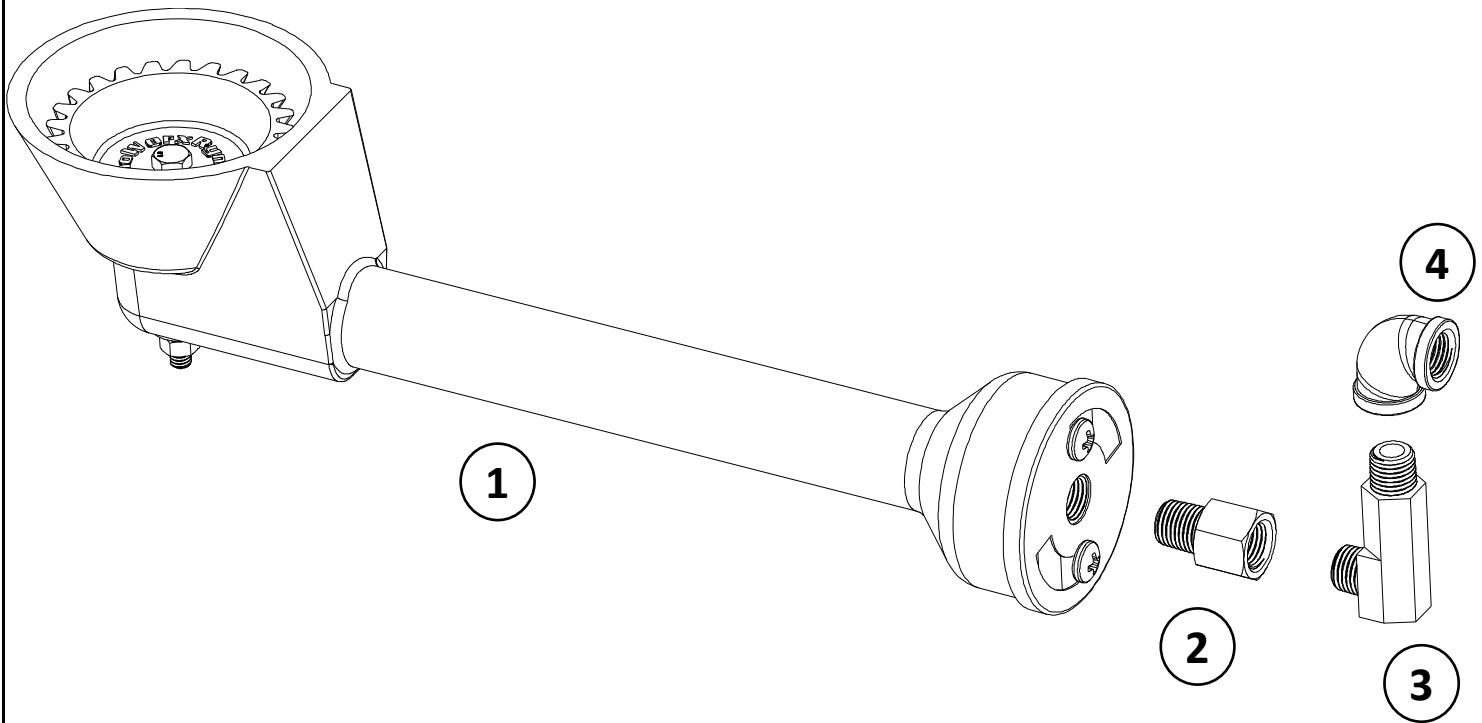


RynoWorx

P/N: **RA-BRN-0006** Rev: **1**

Description:
Burner Tray Complete Assembly - RY10MA-Elite V1

No	P/N	Qty	Description
1	RA-BRN-0005	1	Cast Iron Burner Assembly - 11.5"
2	RC-FIT-0080	1	Brass Fitting - 1 mm Orifice - 1/4" NPT M-F
3	RC-FIT-0081	1	Brass Fitting - 90° 1/4" NPT M-M - 42.75 mm
4	RC-FIT-0083	1	Brass Fitting - 90° 1/4" NPT F-F



RynoWorx

P/N:

RA-BRN-0007

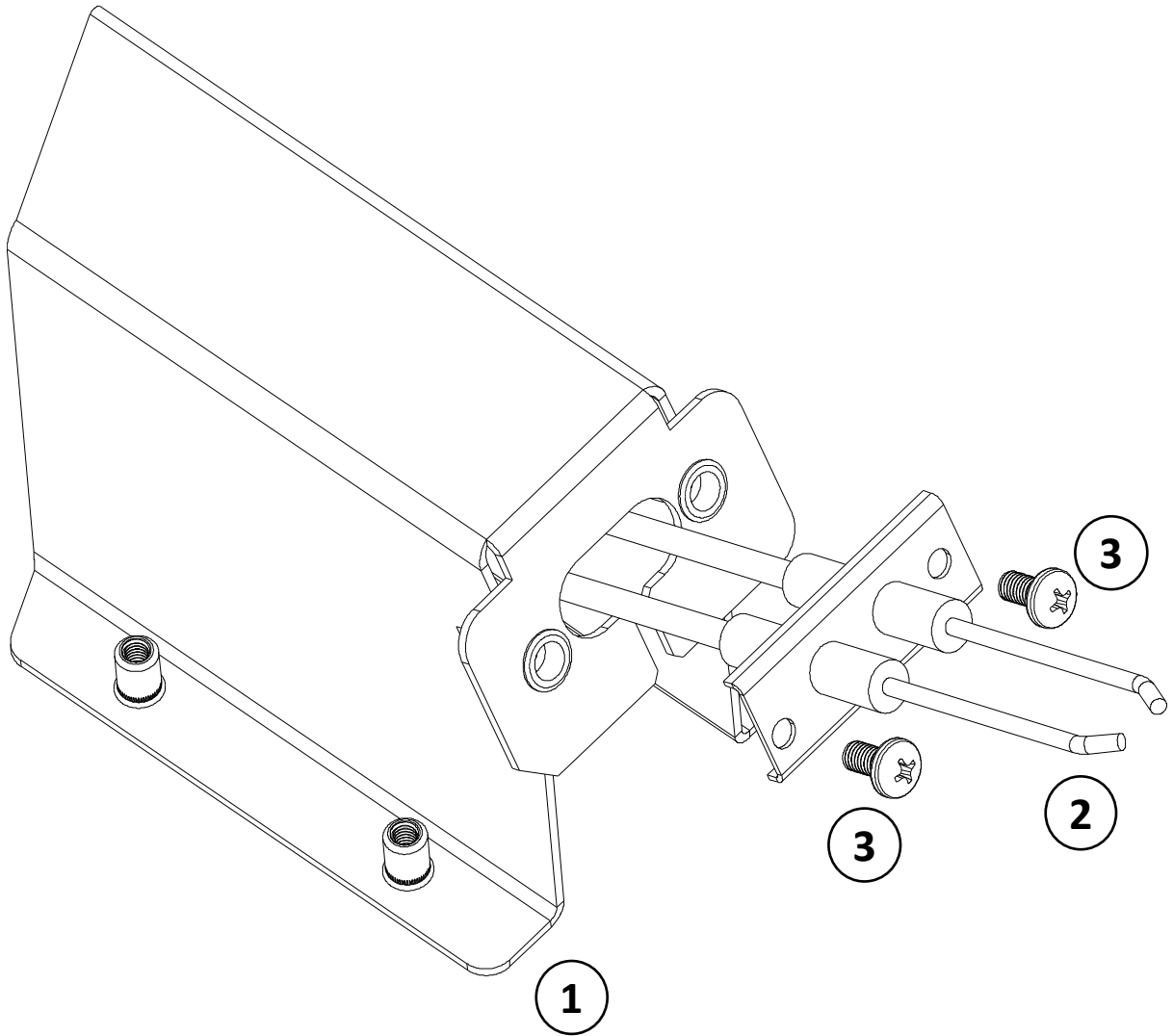
Rev:


1

Description:

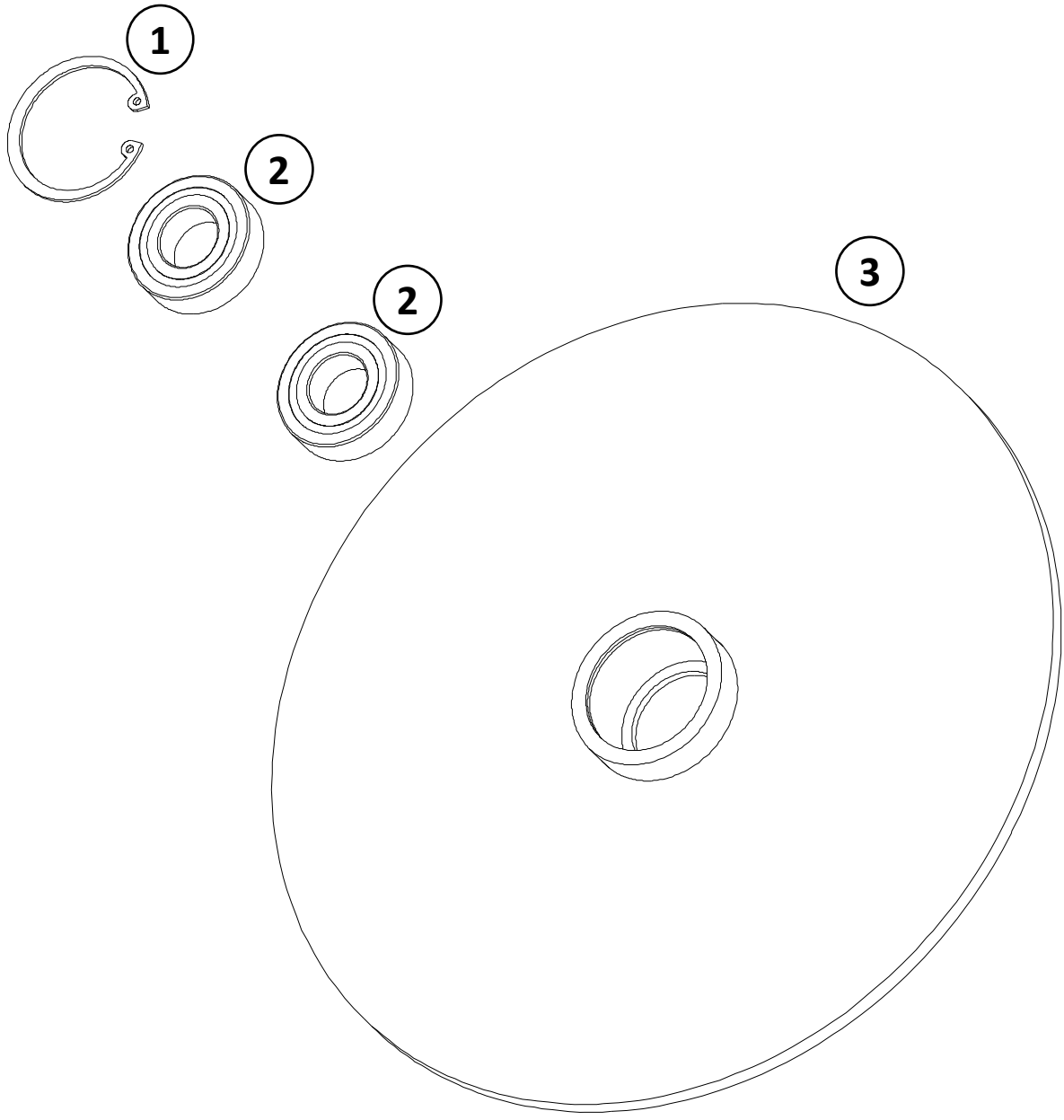
Cast Iron Burner - 11.5" with Fittings (1/4" NPT)

No	P/N	Qty	Description
1	RC-FAB-0142	1	Igniter Mount - MA-V4
2	RC-IGN-0001	1	Igniter Electrode Probe with Wires - Elite (144 cm)
3	RC-HDW-0036	2	M5 x 0.8 mm Thread, 10 mm - ZP



 RynoWorx			
P/N:	RA-BAS-0058	Rev:	1
Description:		Igniter Sub-Assembly - Elite (144 cm wire)	

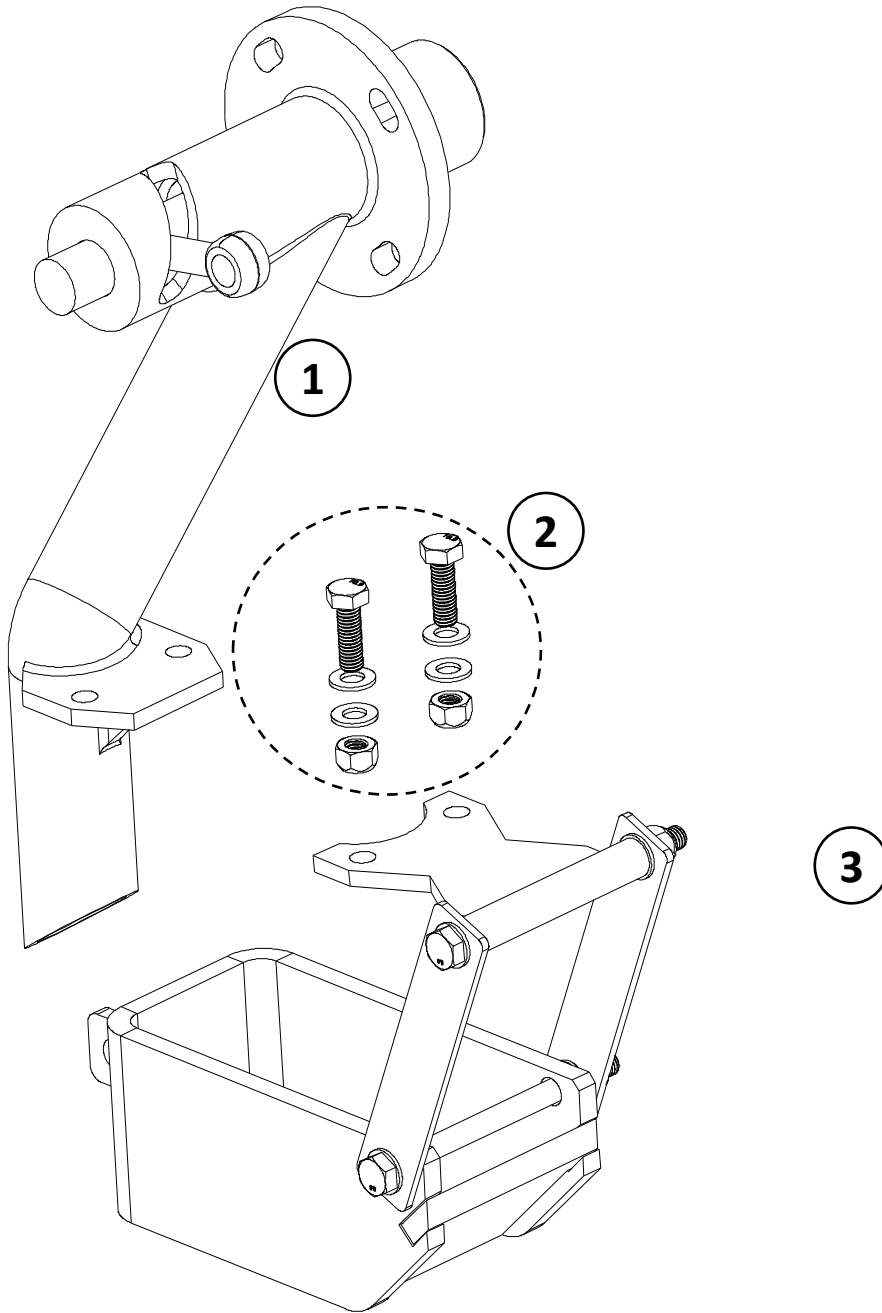
No	P/N	Qty	Description
1	RC-RNG-0001	1	Internal Retaining Ring for 45 mm ID
2	RC-BRG-0001	2	Bearing, Rear Wheel, Melter Applicator
3	RC-WHL-0012	1	Rear Wheel - Melter Applicator - (Bearing Style)



RynoWorx

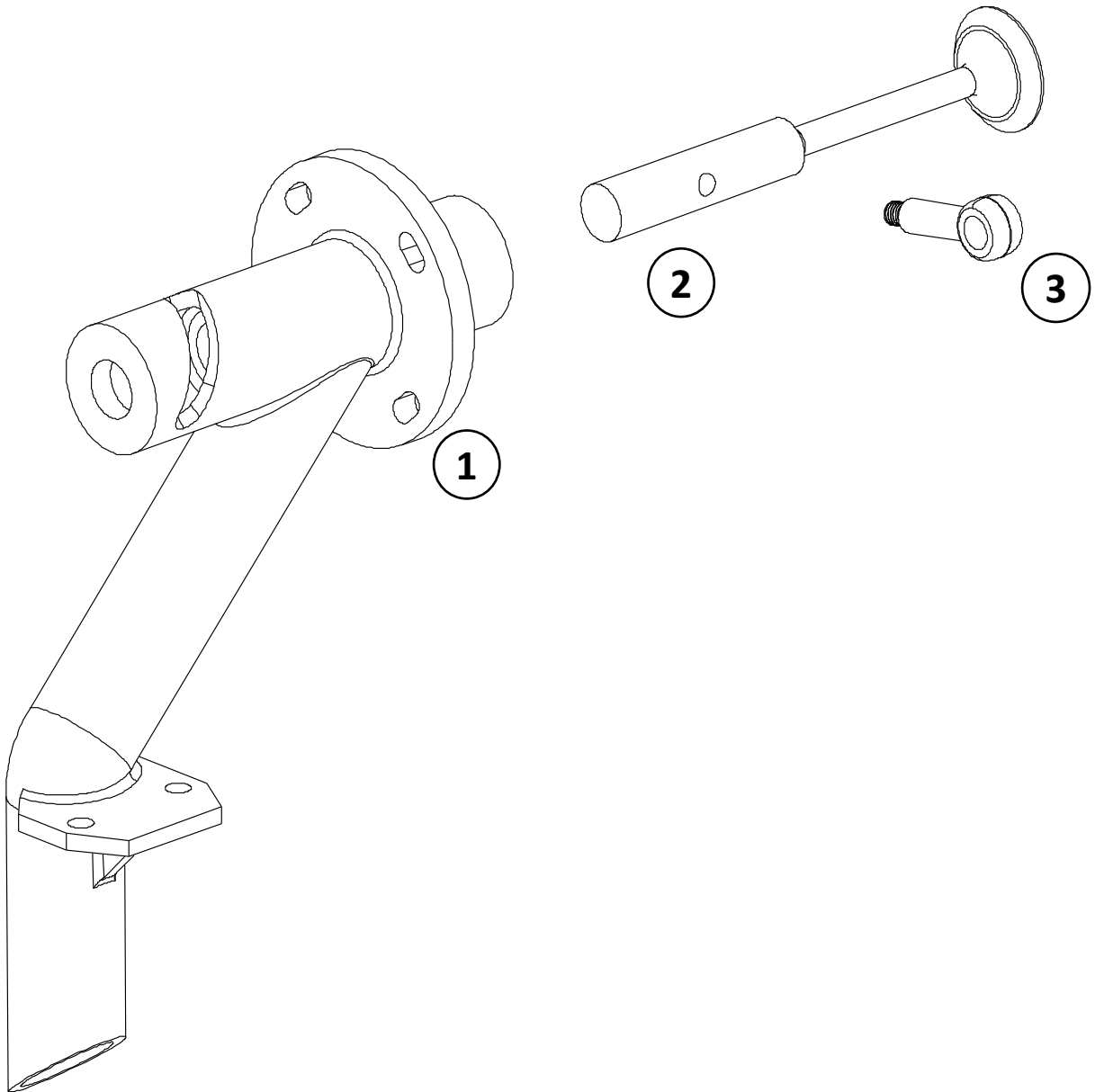
P/N: RA-WHL-0026	Rev: 1
Description: Rear Wheel Assembly with Bearings - Melter Applicator - V2	

No	P/N	Qty	Description
1	RA-VLV-0018	1	MA Draw Valve - Complete Assembly
2	RK-FAS-0064	1	Fastener Kit - Shoe Mount
3	RA-BAS-0057	1	Shoe Assembly - MA-V4



 RynoWorx	
P/N:	Rev:
RA-BAS-0071	3
Description:	
Valve and Shoe Sub Asy	

No	P/N	Qty	Description
1	RC-VLV-0016	1	MA Draw Valve - Body
2	RC-VLV-0017	1	MA Draw Valve - Stem
3	RC-FAB-0155	1	MA Draw Valve Rod End



RynoWorx

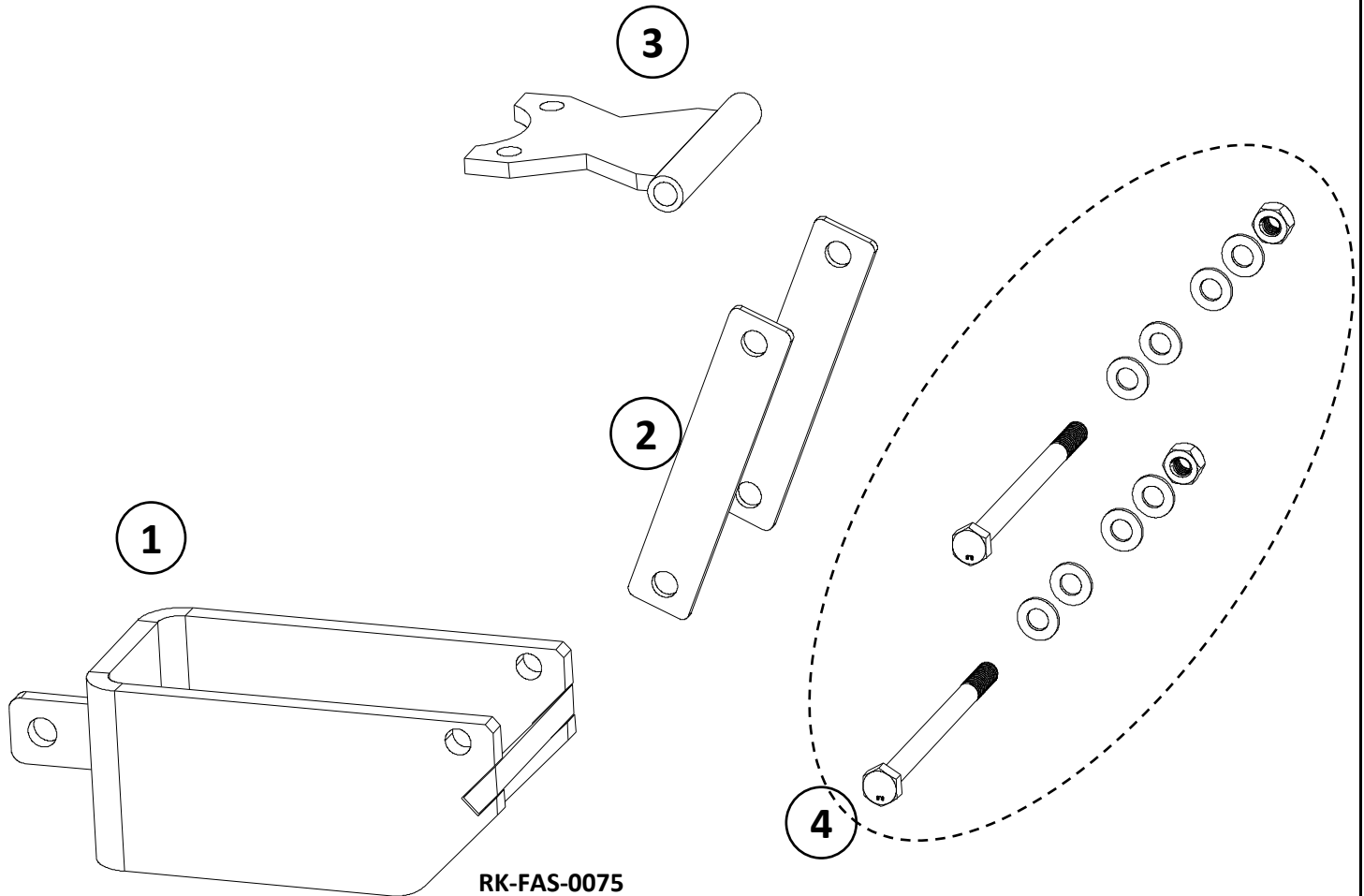
P/N:

RA-VLV-0018

Description:

MA Draw Valve - Complete Assembly

No	P/N	Qty	Description
1	RC-FAB-0202	1	Shoe - Draw Valve - Version 3
2	RC-FAB-0137	2	Shoe Linkage - MA-V4
3	RC-FAB-0203	1	Shoe Mount Flange - Version 3
4	RK-FAS-0075	1	Fastener Kit - Shoe Hinge



RK-FAS-0075

RC-WSH-0003	8	M8 Flat Washer-ZP
RC-HDW-0052	2	M8 x 1.25 mm Hex Head - 110 mm Long, Partial Threaded
RC-NUT-0019	2	M8x1.25 Distorted Thread Lock Nut-ZP



RynoWorx

P/N:

RA-BAS-0057

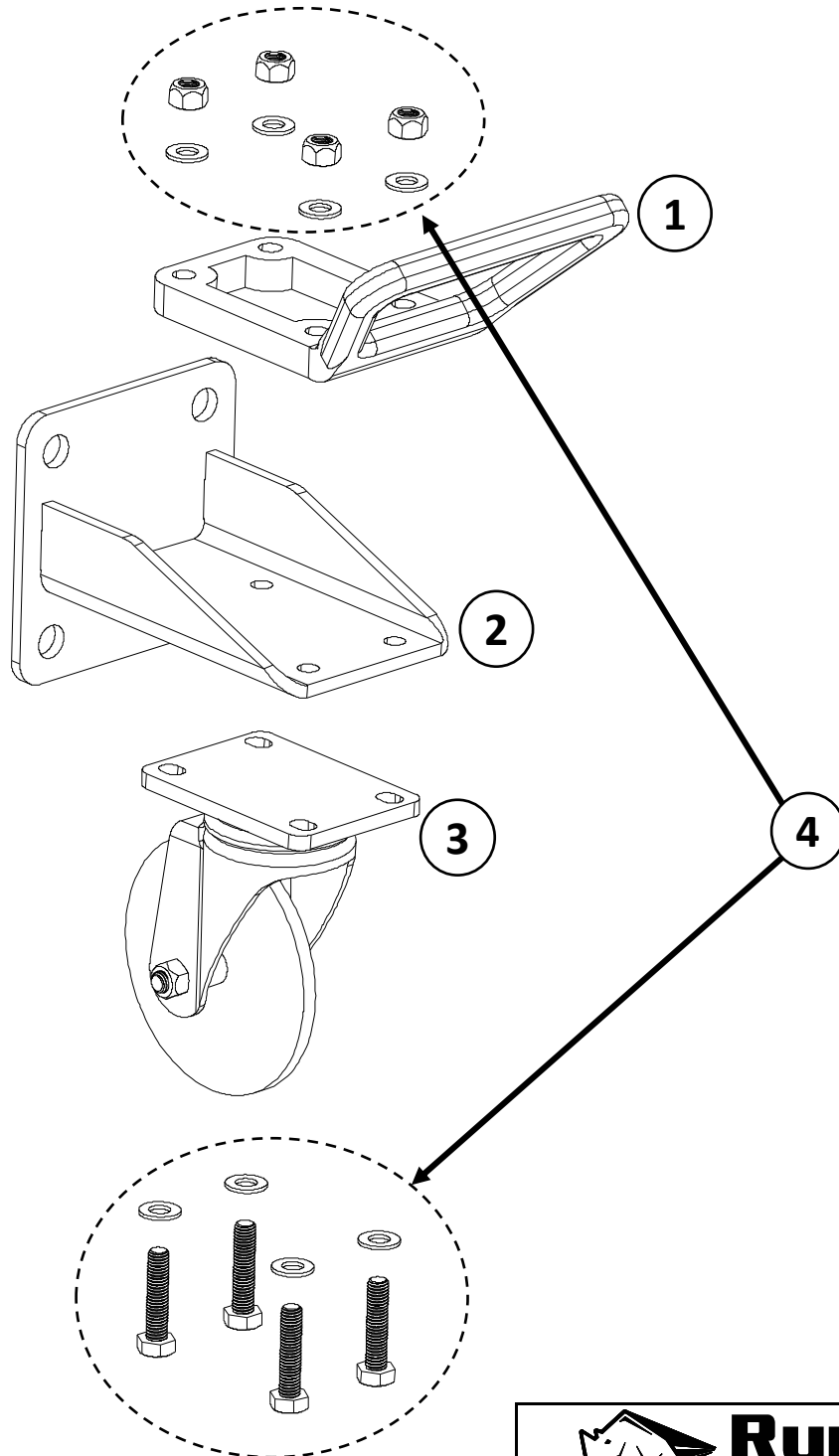
Rev:

4

Description:

Shoe Assembly - MA-V4

No	P/N	Qty	Description
1	RC-FAB-0148	1	Lift Handle - RY10MA-Elite
2	RC-FAB-0131	1	Front Caster Bracket - MA-V4
3	RA-WHL-0005	1	Front Caster Assembly - 4 Bolt Style
4	RK-FAS-0063	1	Fastener Kit - Caster Bracket with Lift Handles



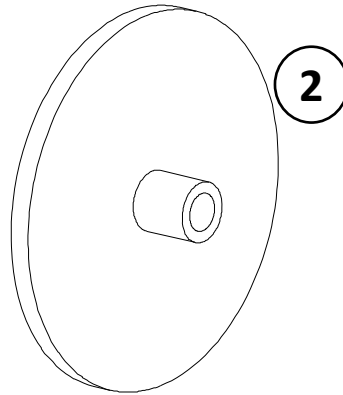
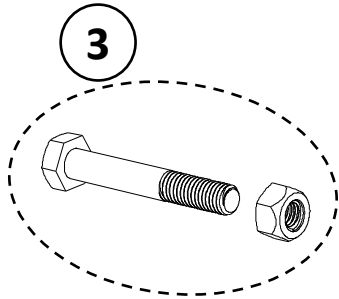
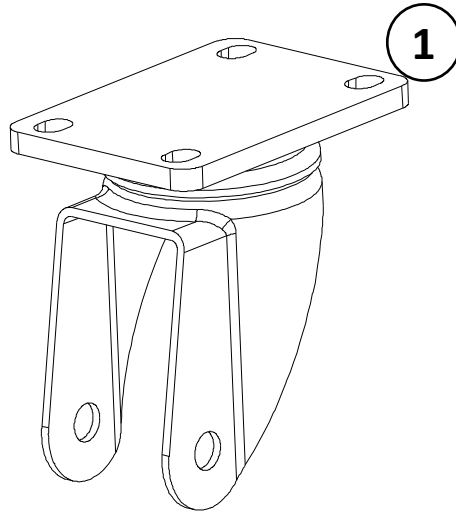
RynoWorx

P/N:
RA-WHL-0024

Rev:
2

Description:
Elite Front Caster Assembly

No	P/N	Qty	Description
1	RC-WHL-0014	1	4 Bolt Caster Swivel
2	RC-WHL-0013	1	Wheel for Front Caster
3	RK-FAS-0033	1	Fastener Kit - Caster Wheel Axle



RynoWorx

P/N: RA-WHL-0005	Rev: 1
----------------------------	------------------

Description:
Front Caster Assembly - 4 Bolt Style