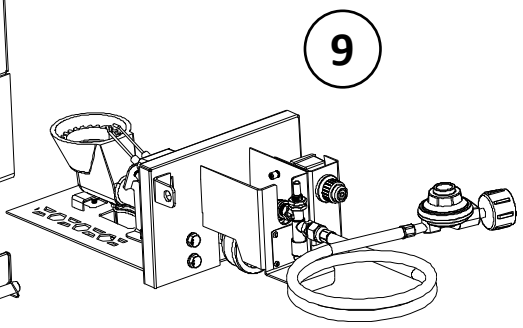
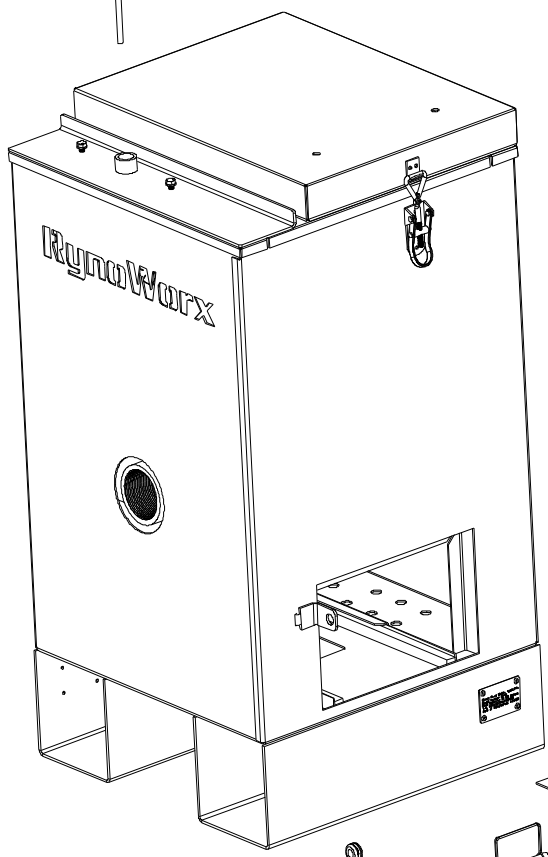
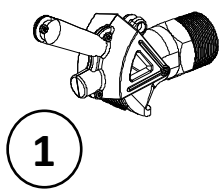
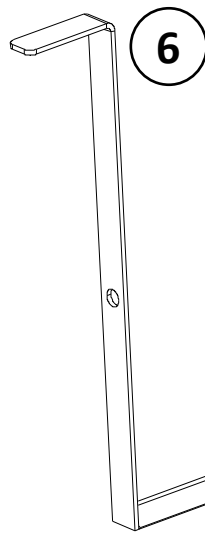
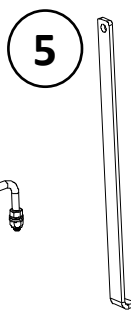
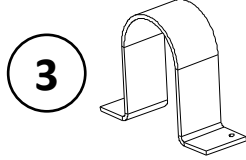

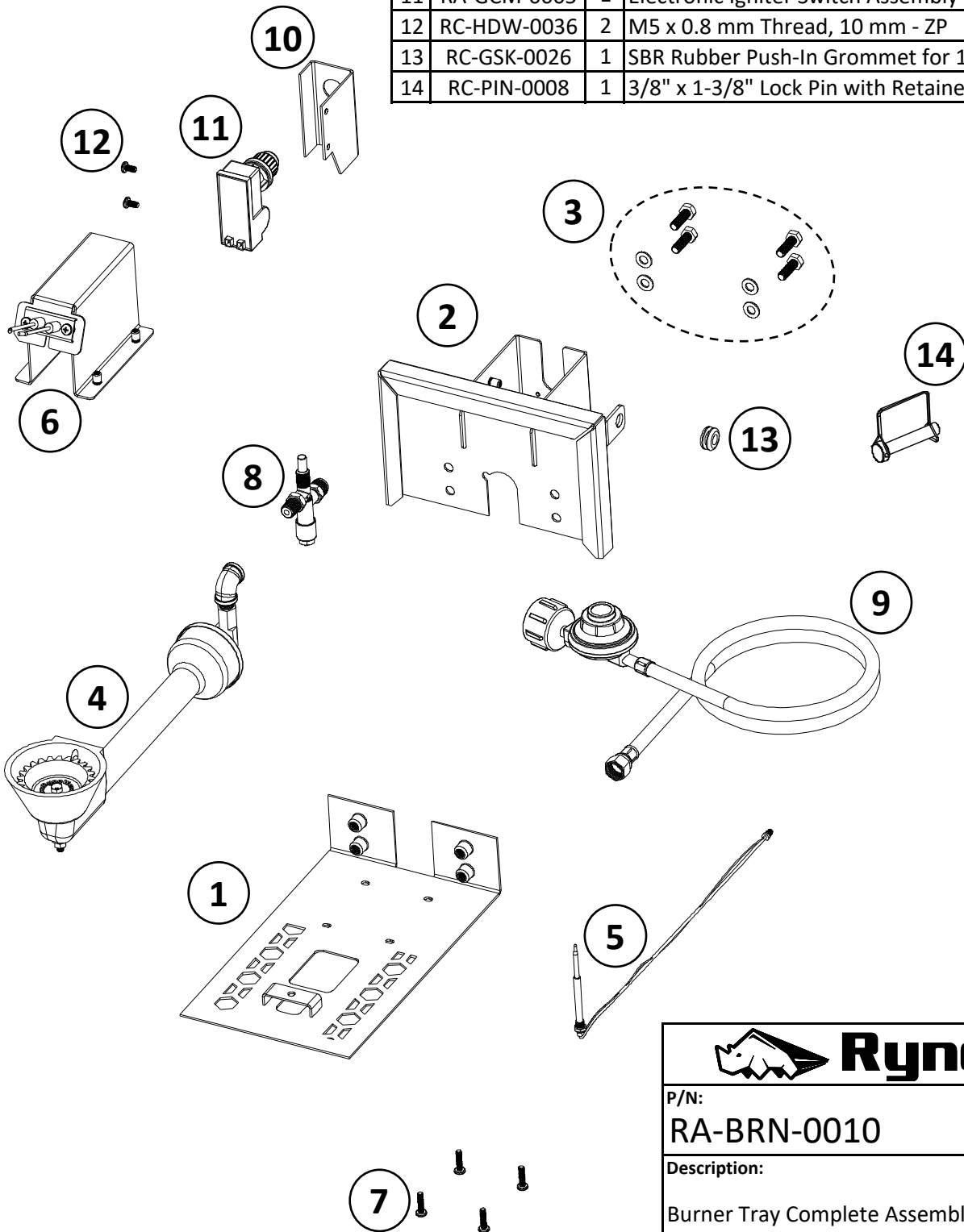



| No | P/N         | Qty | Description   |
|----|-------------|-----|---|
| 1  | RA-VLV-0003 | 1   | 2" NPT Molasses Valve Assembly                      |
| 2  | RC-GCM-0010 | 1   | Thermometer - 14" Probe - Shock Proof Liquid Filled |
| 3  | RC-FAB-0010 | 1   | Thermometer Guard Bracket                           |
| 4  | RA-BAS-0054 | 1   | Removable Lid Handle - RY10MK-PRO - Lav             |
| 5  | RC-FAB-0101 | 1   | Melter Lid Support Slider                           |
| 6  | RC-FAB-0087 | 1   | Agitation Sweep Bar - RY10MK-PRO-V1                 |
| 7  | RC-GSK-0026 | 1   | SBR Rubber Push-In Grommet for 1/2" ID and 3/32"    |
| 8  | RC-PIN-0008 | 1   | 3/8" x 1-3/8" Lock Pin with Retainer                |
| 9  | RA-BRN-0010 | 1   | Burner Tray Complete Assembly - 5 psi Kettle Burner |



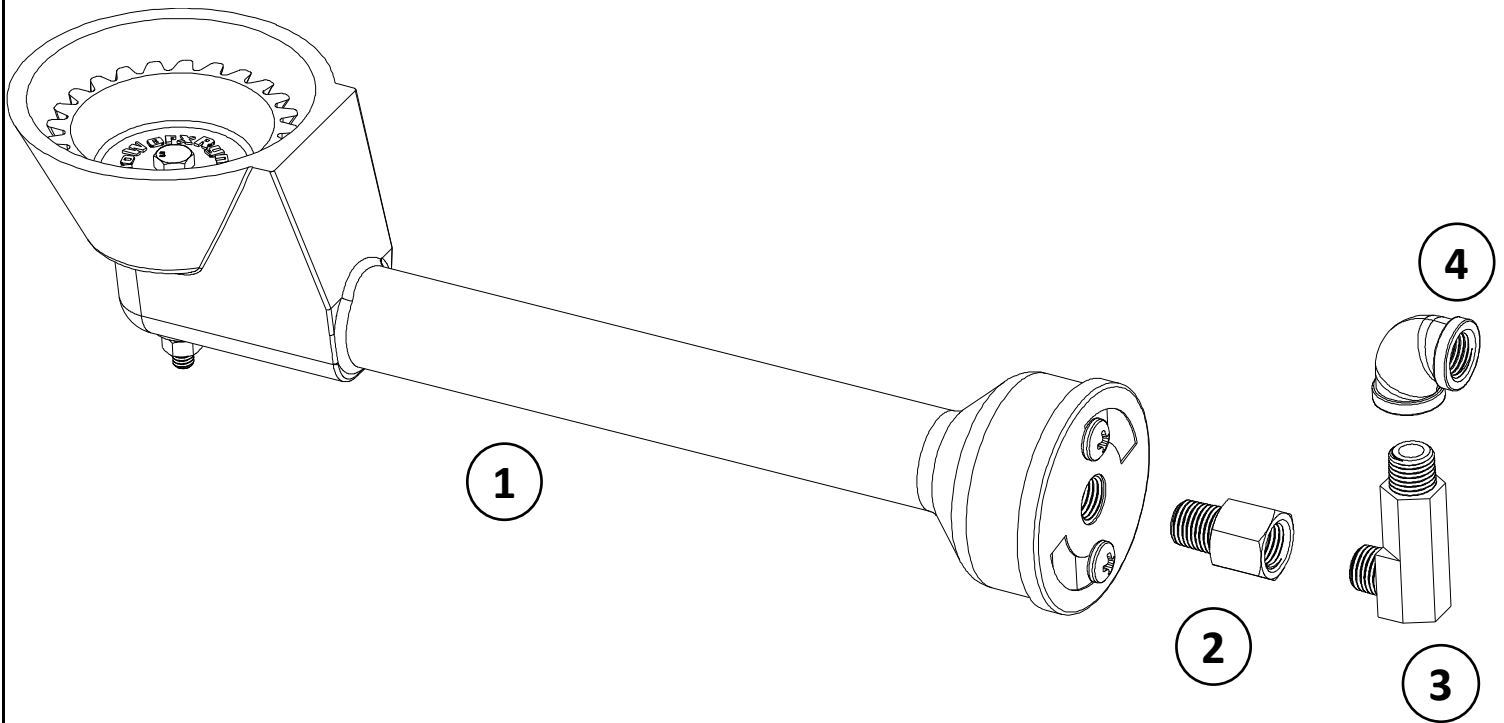
|  |                               |                  |
|--|-------------------------------|------------------|
|  <b>RynoWorx</b> |                               |                  |
| P/N:<br><b>RA-MLT-0009</b>   | Model<br><b>RY10MK-Pro-V3</b> | Rev:<br><b>1</b> |
| Description:<br>RY10MK-Pro Crack Fill Melter Kettle - Version 3                                      |                               |                  |


| No | P/N         | Qty | Description   |
|----|-------------|-----|---|
| 1  | RC-FAB-0165 | 1   | Burner Tray MK-HP - Tray                                      |
| 2  | RC-FAB-0166 | 1   | Burner Tray MK-HP - Door                                      |
| 3  | RK-FAS-0085 | 1   | Fastener Kit - Burner Tray Door - Kettle                      |
| 4  | RA-BRN-0007 | 1   | Cast Iron Burner - 11.5" with Fittings (1/4" NPT)             |
| 5  | RC-TPL-0002 | 1   | Thermocouple - Pro - 54 cm wires                              |
| 6  | RA-BAS-0075 | 1   | Igniter Sub-Assembly - Kettle (37 cm wire)                    |
| 7  | RC-HDW-0042 | 4   | Pan Head Phillips - M5x0.8 mm x 20 mm Long                    |
| 8  | RA-VLV-0019 | 1   | Flame Out Valve Assembly - CSA - 30 psi w Flare Fittings      |
| 9  | RC-REG-0003 | 1   | 5 Psi Adjustable Regulator - 200 cm Hose with 3/8" Flare Fitt |
| 10 | RC-FAB-0141 | 1   | Igniter Bracket - MA-V4                                       |
| 11 | RA-GCM-0005 | 1   | Electronic Igniter Switch Assembly                            |
| 12 | RC-HDW-0036 | 2   | M5 x 0.8 mm Thread, 10 mm - ZP                                |
| 13 | RC-GSK-0026 | 1   | SBR Rubber Push-In Grommet for 1/2" ID and 3/32"              |
| 14 | RC-PIN-0008 | 1   | 3/8" x 1-3/8" Lock Pin with Retainer                          |



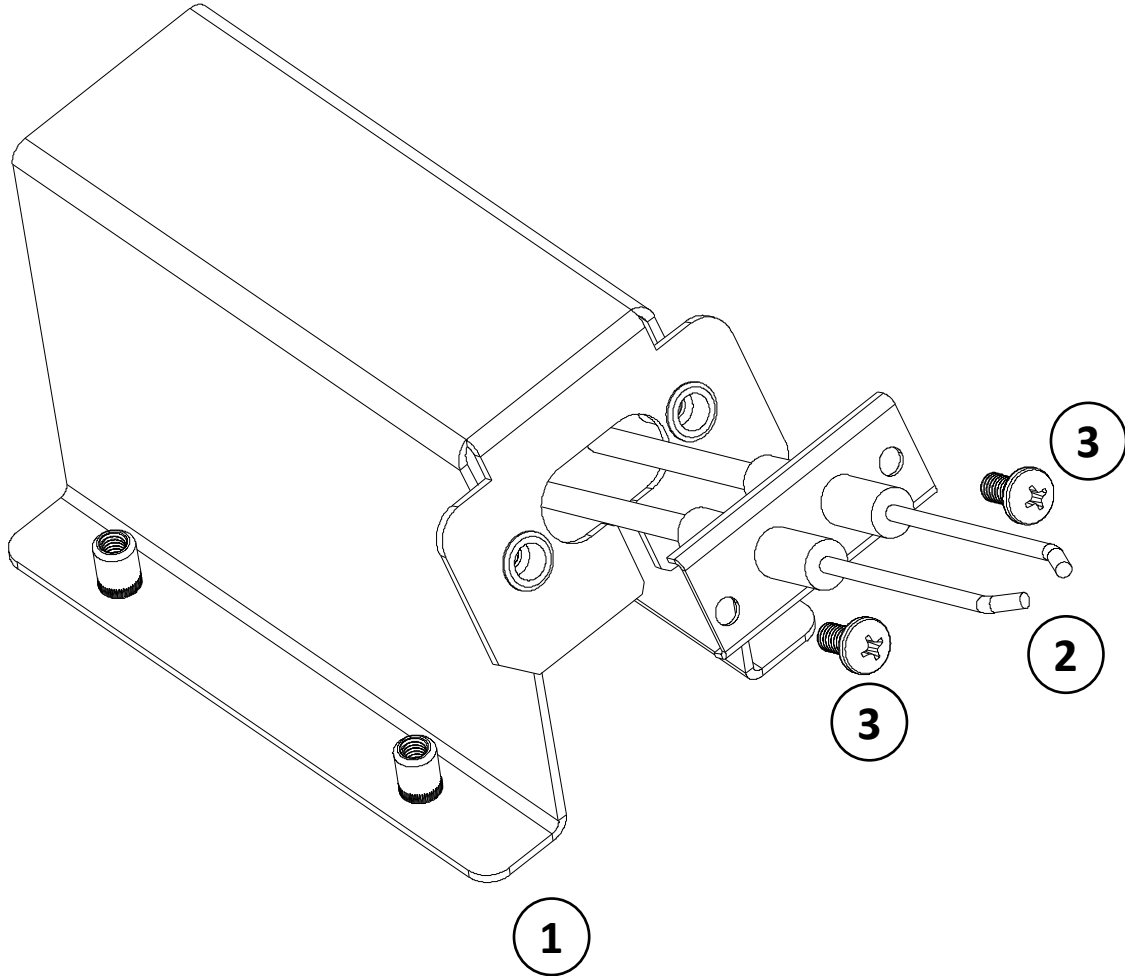
|  |                  |
|--|------------------|
|  <b>RynoWorx</b> |                  |
| P/N:<br><b>RA-BRN-0010</b>   | Rev:<br><b>1</b> |
| Description:<br>Burner Tray Complete Assembly - 5 psi Kettle Burner                                  |                  |


| No | P/N         | Qty | Description                                 |
|----|-------------|-----|---|
| 1  | RA-BRN-0005 | 1   | Cast Iron Burner Assembly - 11.5"           |
| 2  | RC-FIT-0080 | 1   | Brass Fitting - 1 mm Orifice - 1/4" NPT M-F |
| 3  | RC-FIT-0081 | 1   | Brass Fitting - 90° 1/4" NPT M-M - 42.75 mm |
| 4  | RC-FIT-0083 | 1   | Brass Fitting - 90° 1/4" NPT F-F            |



|  |                  |
|--|------------------|
|  <b>RynoWorx</b> |                  |
| <b>P/N:</b><br>RA-BRN-0007   | <b>Rev:</b><br>1 |
| <b>Description:</b><br>Cast Iron Burner - 11.5" with Fittings (1/4" NPT)                             |                  |

| No | P/N         | Qty | Description                                      |
|----|-------------|-----|--|
| 1  | RC-FAB-0167 | 1   | Burner Tray MK-HP - Igniter Mount                |
| 2  | RC-IGN-0002 | 1   | Igniter Electrode Probe with Wires - Pro (37 cm) |
| 3  | RC-HDW-0036 | 2   | M5 x 0.8 mm Thread, 10 mm - ZP                   |



|  |                  |
|--|------------------|
|  <b>RynoWorx</b> |                  |
| P/N:<br><b>RA-BAS-0075</b>   | Rev:<br><b>1</b> |
| Description:<br>Igniter Sub-Assembly - Kettle (37 cm wire)   |                  |