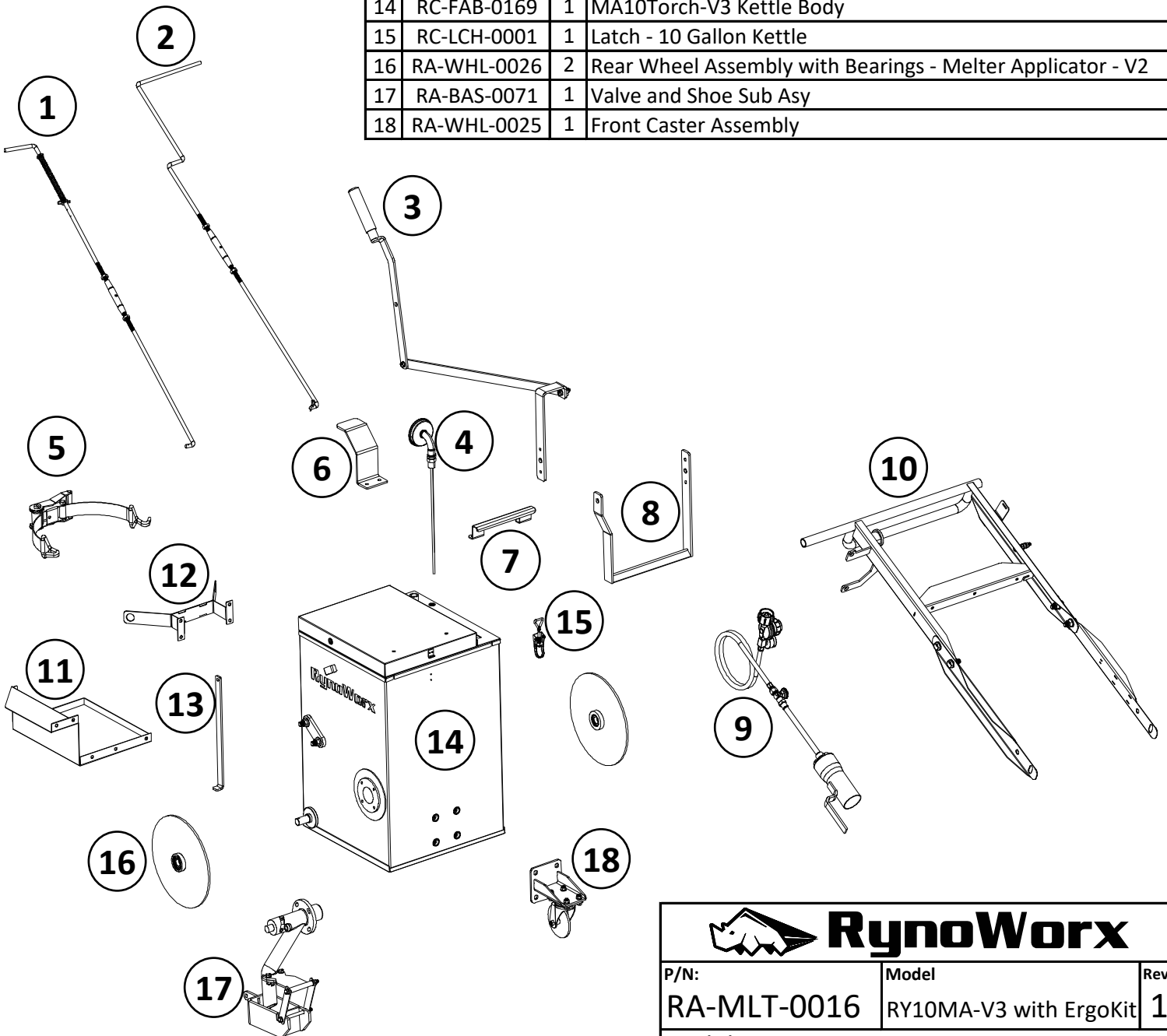


No	P/N	Qty	Description
1	RA-BAS-0059	1	Valve Control Arm Assembly - MA-V4
2	RA-BAS-0060	1	Shoe Control Arm Assembly - MA-V4
3	RA-BAS-0063	1	On-the-Fly Agitation Sub-Assembly - MA-V4
4	RC-GCM-0067	1	Thermometer - 16.5" Probe - Shock Proof Liquid Filled
5	RC-STR-0001	1	Propane Tank Ratchet Strap
6	RC-FAB-0147	1	Thermometer Guard - MA-V4
7	RC-FAB-0151	1	Lid Handle - MA-V4
8	RC-FAB-0143	1	Agitation Sweep Bar - MA-V4
9	RA-GCM-0015	1	MA Torch Complete Assembly
10	RA-BAS-0056	1	Handle Bar Assembly - MA-V4
11	RC-FAB-0171	1	MA10-Torch-V3 Tank Shelf
12	RC-FAB-0133	1	Tank Spacer - MA-V4
13	RC-FAB-0101	1	Melter Lid Support Slider
14	RC-FAB-0169	1	MA10Torch-V3 Kettle Body
15	RC-LCH-0001	1	Latch - 10 Gallon Kettle
16	RA-WHL-0026	2	Rear Wheel Assembly with Bearings - Melter Applicator - V2
17	RA-BAS-0071	1	Valve and Shoe Sub Asy
18	RA-WHL-0025	1	Front Caster Assembly

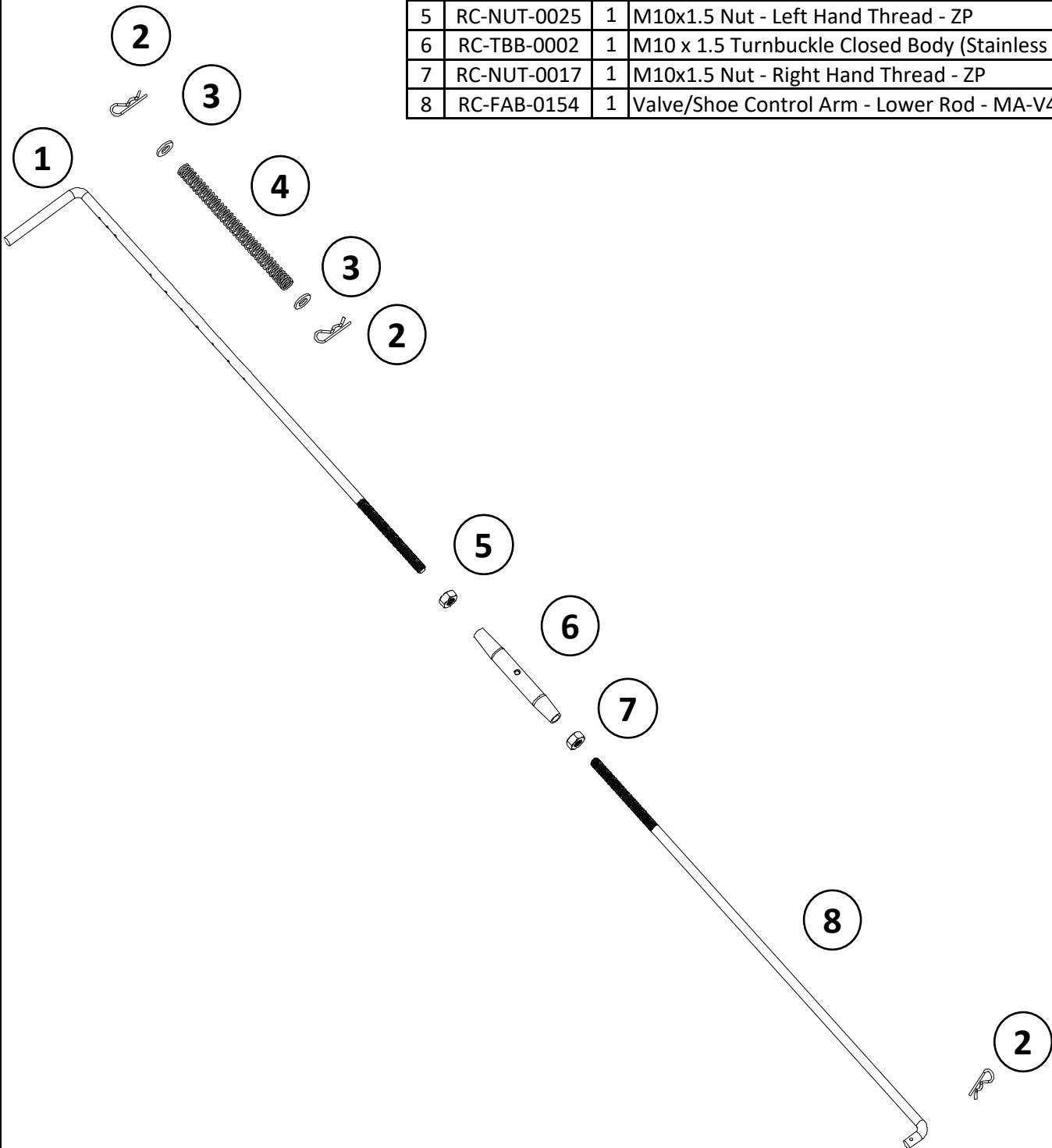


RynoWorx

P/N:	Model	Rev:
RA-MLT-0016	RY10MA-V3 with ErgoKit	1

Description:
RY10MA - 10 Gallon Torch Fired Melter Applicator
with ErgoKit - Complete Assembly - Version 3

No	P/N	Qty	Description
1	RC-FAB-0152	1	Valve Control Arm - Upper Rod - MA-V4
2	RC-PIN-0007	3	0.093" x 1-5/8" Hairpin Cotter (1/4" - 1/2" Shaft Size) - ZP
3	RC-WSH-0016	2	M10 Flat Washer-ZP
4	RC-SPG-0001	1	Valve Control Compression Spring
5	RC-NUT-0025	1	M10x1.5 Nut - Left Hand Thread - ZP
6	RC-TBB-0002	1	M10 x 1.5 Turnbuckle Closed Body (Stainless Steel)
7	RC-NUT-0017	1	M10x1.5 Nut - Right Hand Thread - ZP
8	RC-FAB-0154	1	Valve/Shoe Control Arm - Lower Rod - MA-V4



RynoWorx

P/N:

RA-BAS-0059

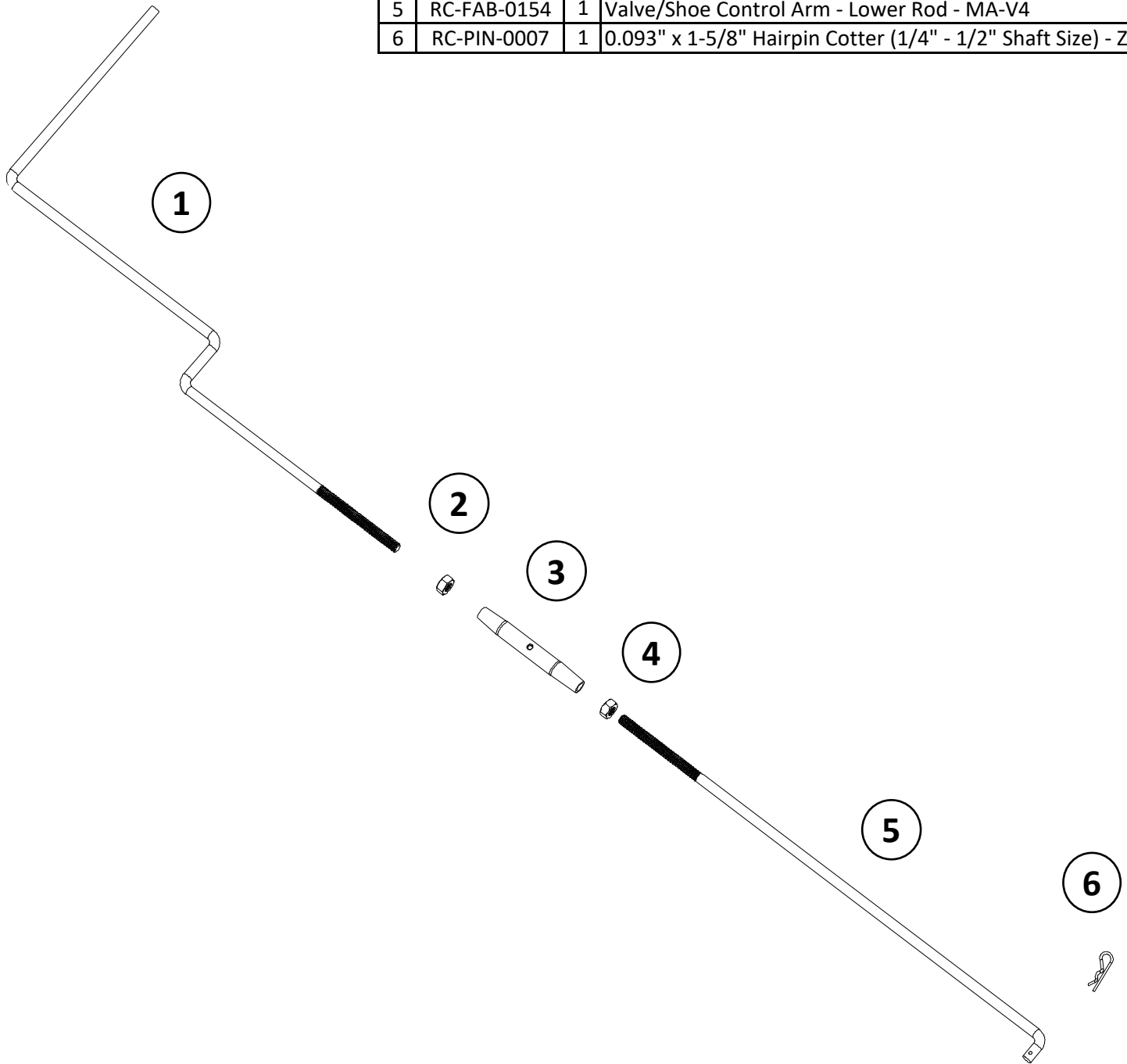
Rev:


1

Description:

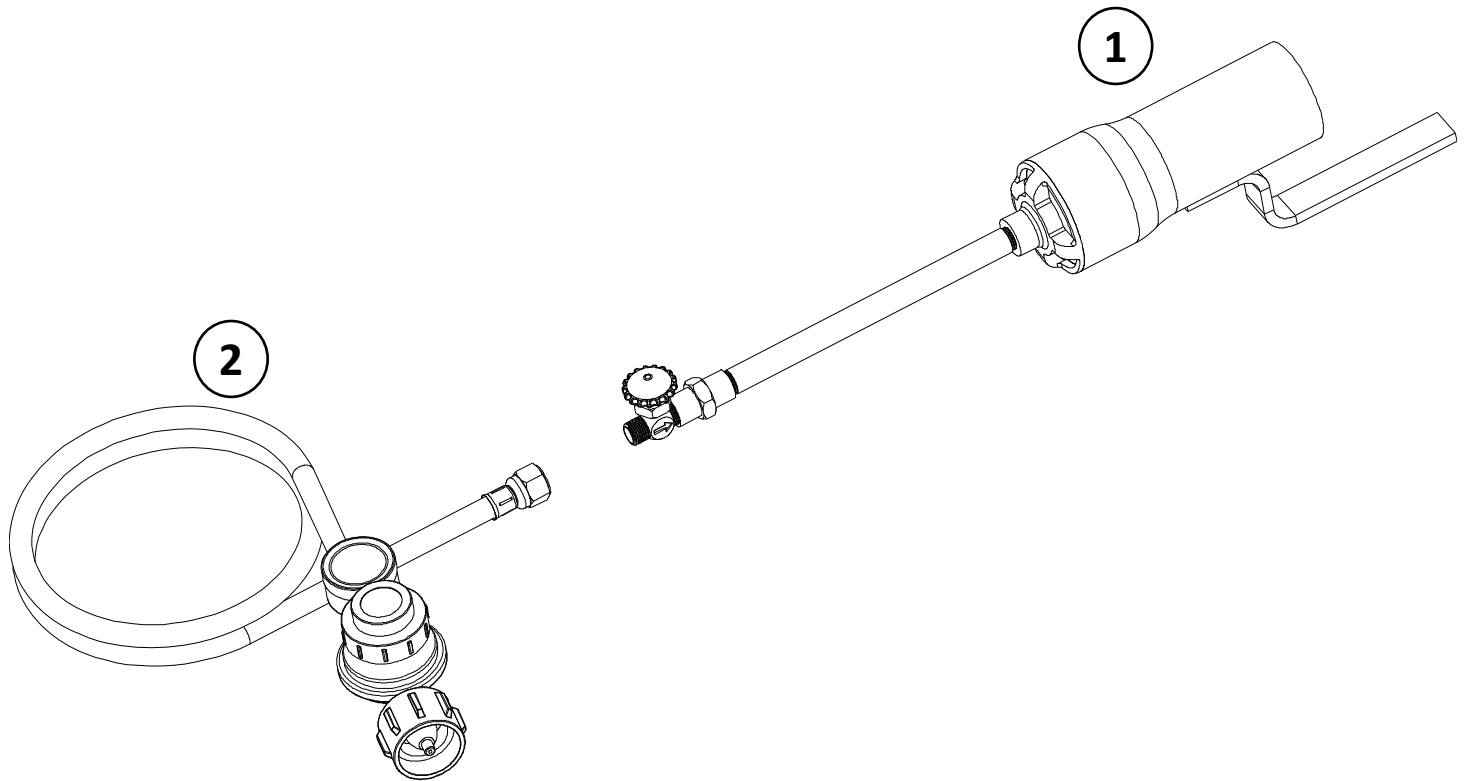
Valve Control Arm Assembly - MA-V4

No	P/N	Qty	Description
1	RC-FAB-0153	1	Shoe Control Arm - Upper Rod - MA-V4
2	RC-NUT-0025	1	M10x1.5 Nut - Left Hand Thread - ZP
3	RC-TBB-0002	1	M10 x 1.5 Turnbuckle Closed Body (Stainless Steel)
4	RC-NUT-0017	1	M10x1.5 Nut - Right Hand Thread - ZP
5	RC-FAB-0154	1	Valve/Shoe Control Arm - Lower Rod - MA-V4
6	RC-PIN-0007	1	0.093" x 1-5/8" Hairpin Cotter (1/4" - 1/2" Shaft Size) - ZP



 RynoWorx	
P/N: RA-BAS-0060	Rev: 1
Description: Shoe Control Arm Assembly - MA-V4	

No	P/N	Qty	Description
1	RC-GCM-0016	1	Torch for Melter Applicator with Valve
2	RC-GCM-0068	1	Regulator and Hose - 0 - 30 Psi with Pressure Gauge (3 m)

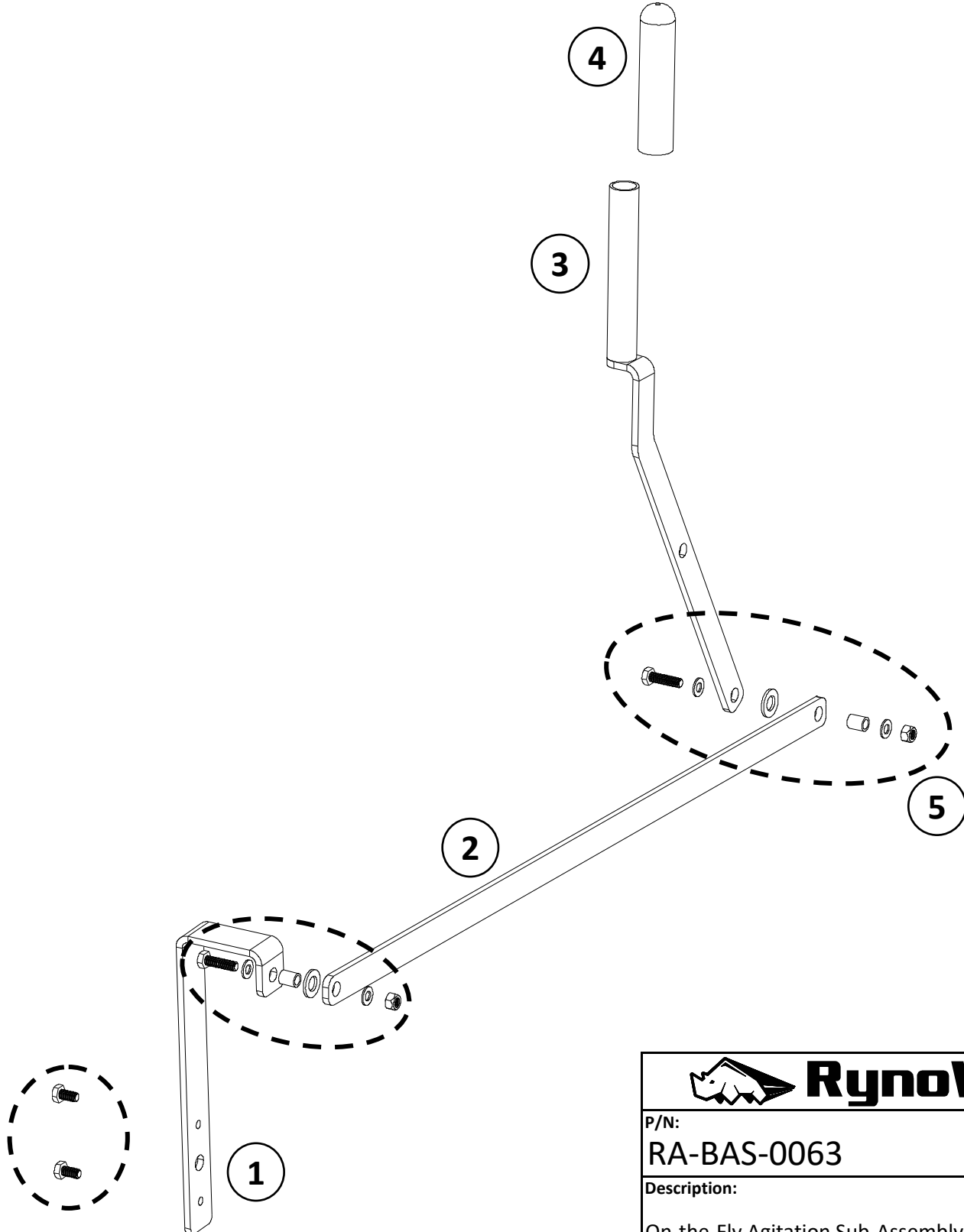



RynoWorx

P/N: RA-GCM-0015	Rev: 1
---------------------	-----------

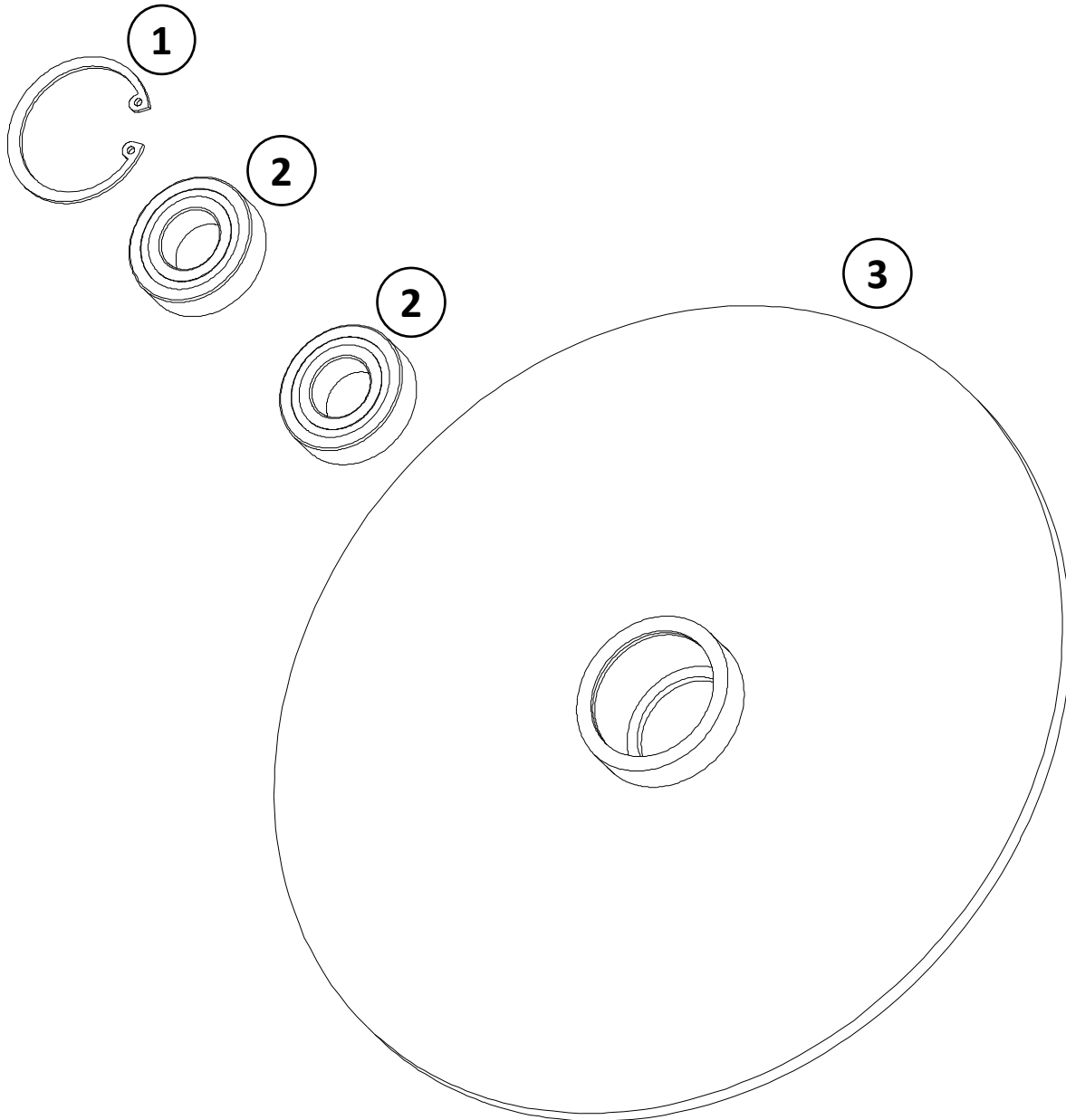
Description:
MA Torch Complete Assembly


No	P/N	Qty	Description
1	RC-FAB-0144	1	Agitation Sweep Connector - MA-V4
2	RC-FAB-0145	1	Agitation Linkage - MA-V4
3	RC-FAB-0146	1	Agitation Handle - MA-V4
4	RC-GRP-0001	1	Agitation Handle Grip - 1" OD, 5-1/16" Long
5	RK-FAS-0081	1	Fastener Kit - OTF Agitation Linkage



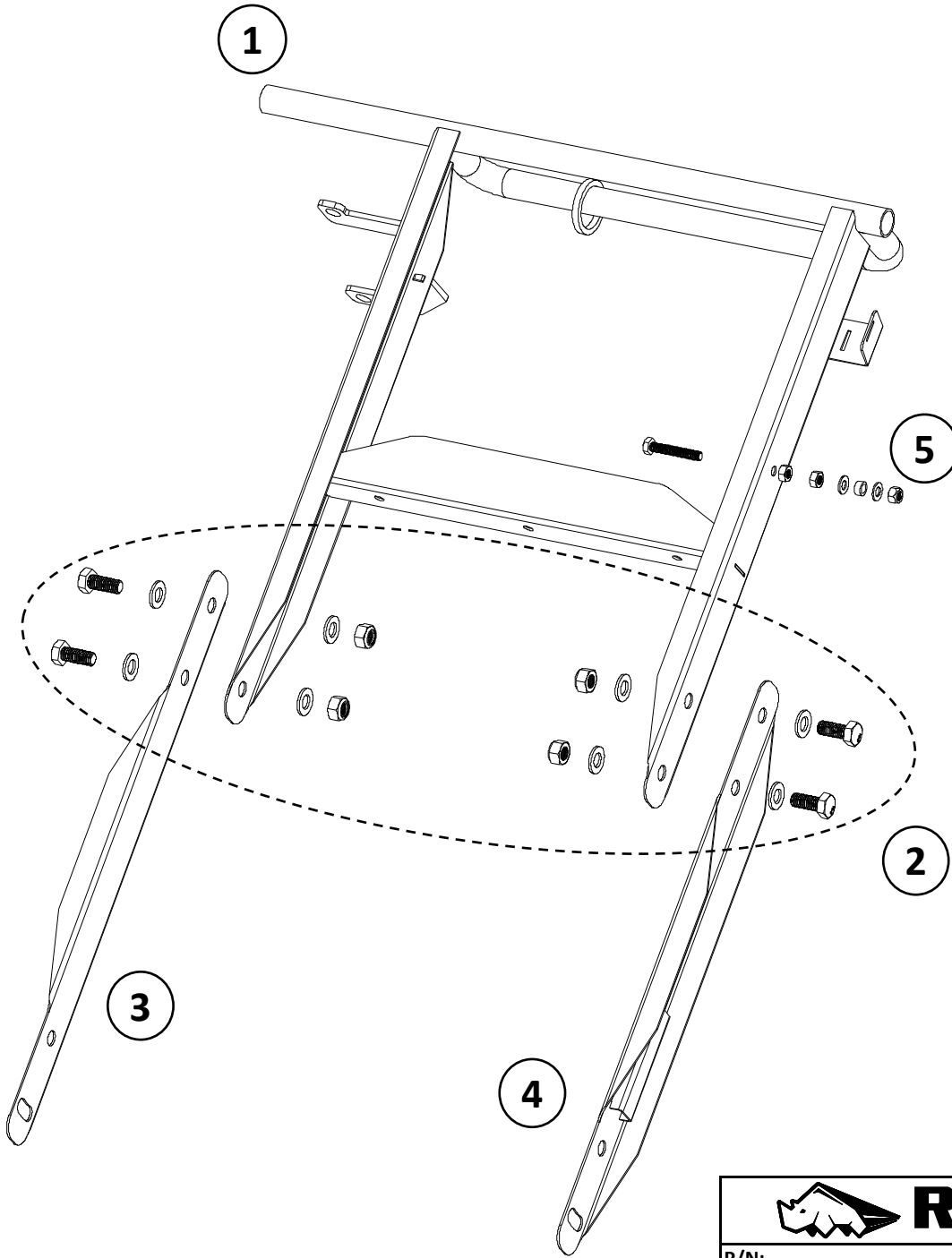
 RynoWorx	
P/N: RA-BAS-0063	Rev: 1
Description: On-the-Fly Agitation Sub-Assembly - MA-V4	


No	P/N	Qty	Description
1	RC-RNG-0001	1	Internal Retaining Ring for 45 mm ID
2	RC-BRG-0001	2	Bearing, Rear Wheel, Melter Applicator
3	RC-WHL-0012	1	Rear Wheel - Melter Applicator - (Bearing Style)



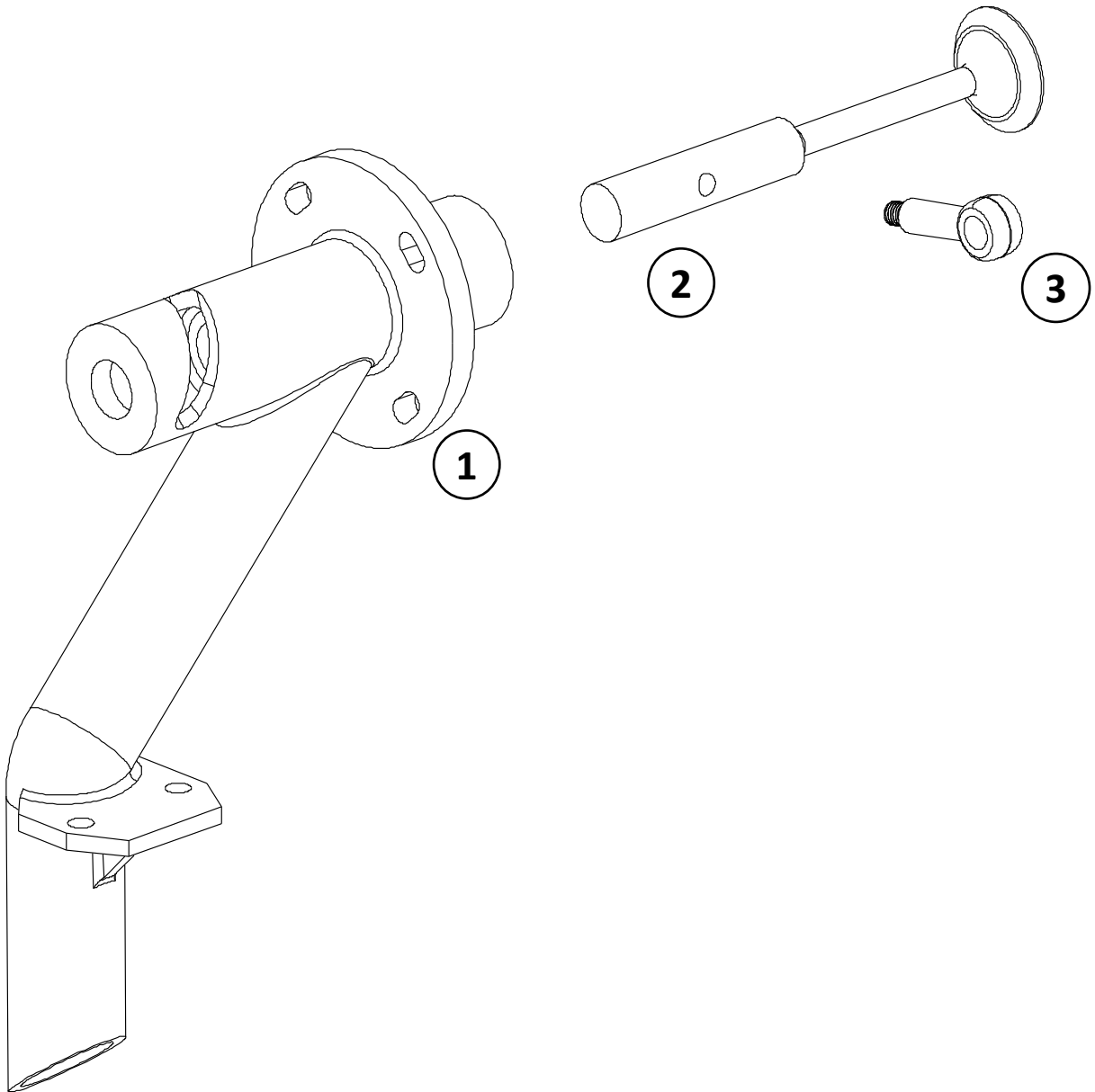
 RynoWorx	
P/N: RA-WHL-0026	Rev: 1
Description: Rear Wheel Assembly with Bearings - Melter Applicator - V2	

No	P/N	Qty	Description
1	RC-FAB-0134	1	Upper Handle Bars - MA-V4
2	RK-FAS-0076	1	Fastener Kit - Handle Bars
3	RC-FAB-0149	1	Lower Handle Bar Left - MA-V4
4	RC-FAB-0135	1	Lower Handle Bar Right - MA-V4
5	RK-FAS-0078	1	Fastener Kit - OTF Agitation - Handle Bar Pivot



 RynoWorx	
P/N: RA-BAS-0056	Rev: 1
Description: Handle Bar Assembly - MA-V4	

No	P/N	Qty	Description
1	RC-VLV-0016	1	MA Draw Valve - Body
2	RC-VLV-0017	1	MA Draw Valve - Stem
3	RC-FAB-0155	1	MA Draw Valve Rod End



RynoWorx

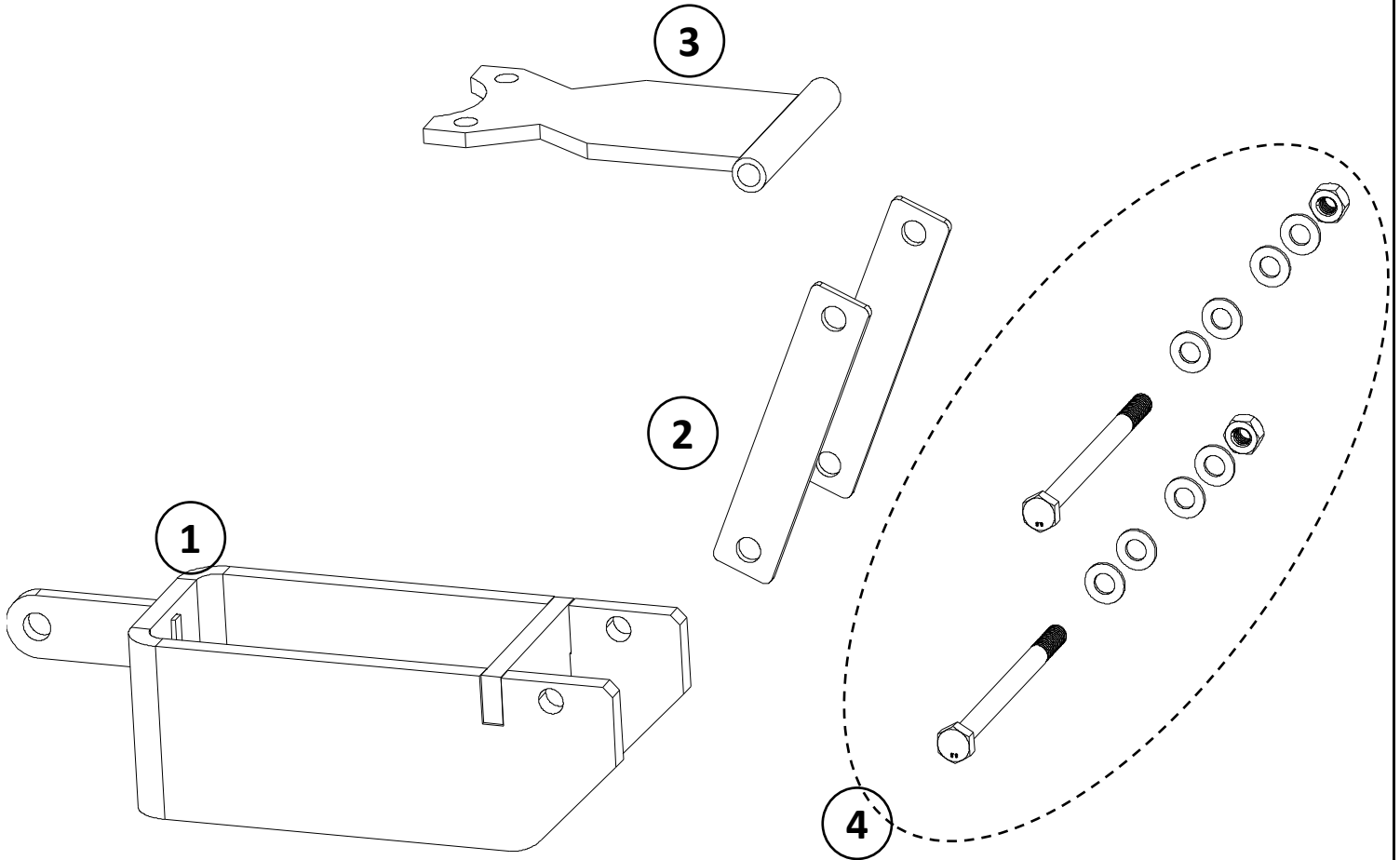
P/N:


RA-VLV-0018

Description:

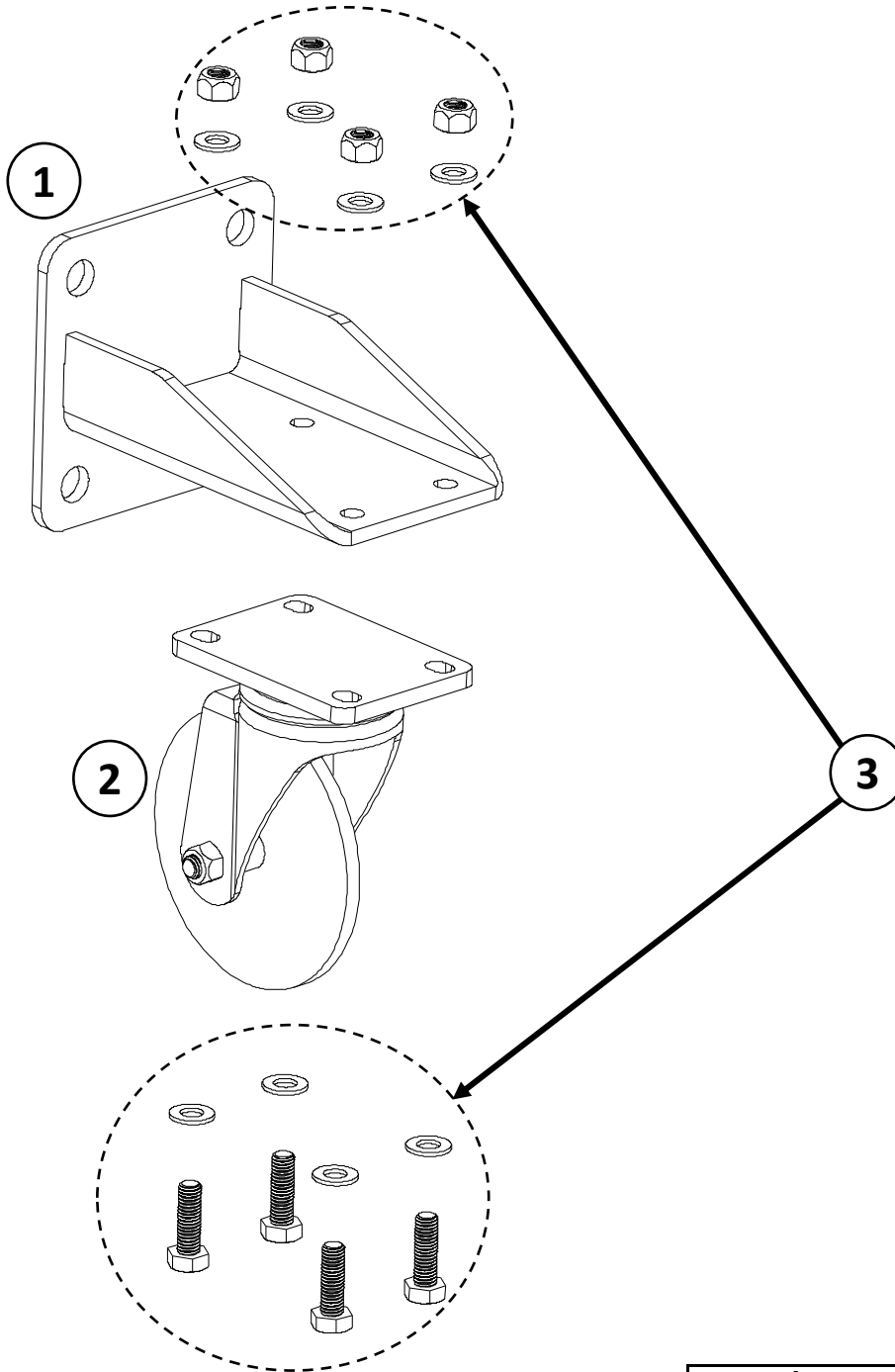
MA Draw Valve - Complete Assembly


No	P/N	Qty	Description
1	RC-FAB-0175	1	Shoe - Draw Valve - Version 2
2	RC-FAB-0137	2	Shoe Linkage - MA-V4
3	RC-FAB-0174	1	Shoe Mount Flange - Version 2
4	RK-FAS-0075	1	Fastener Kit - Shoe Hinge



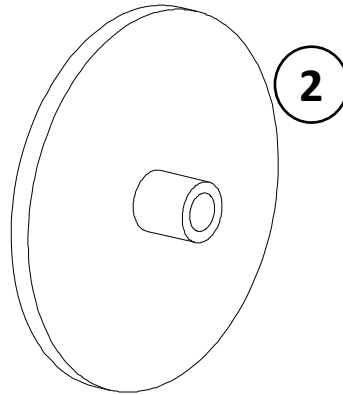
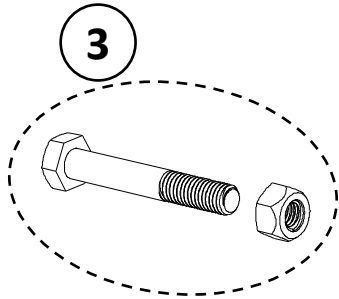
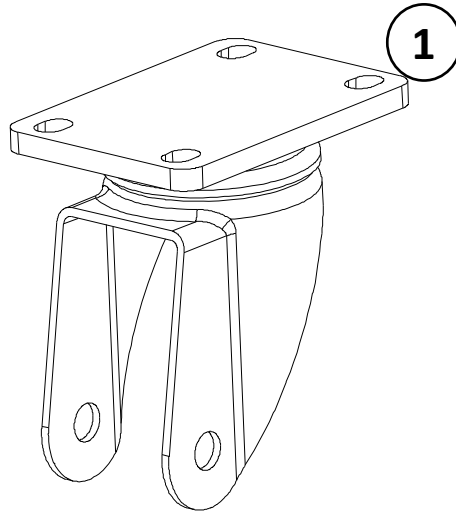
 RynoWorx	
P/N: RA-BAS-0057	Rev: 2
Description: Shoe Assembly - MA-V4	

No	P/N	Qty	Description
1	RC-FAB-0131	1	Front Caster Bracket - MA-V4
2	RA-WHL-0005	1	Front Caster Assembly - 4 Bolt Style
3	RK-FAS-0082	1	Fastener Kit - Caster Bracket Pro



 RynoWorx	
P/N: RA-WHL-0025	Rev: 1
Description: Pro Front Caster Assembly	

No	P/N	Qty	Description
1	RC-WHL-0014	1	4 Bolt Caster Swivel
2	RC-WHL-0013	1	Wheel for Front Caster
3	RK-FAS-0033	1	Fastener Kit - Caster Wheel Axle



RynoWorx

P/N: RA-WHL-0005	Rev: 1
----------------------------	------------------

Description:
Front Caster Assembly - 4 Bolt Style