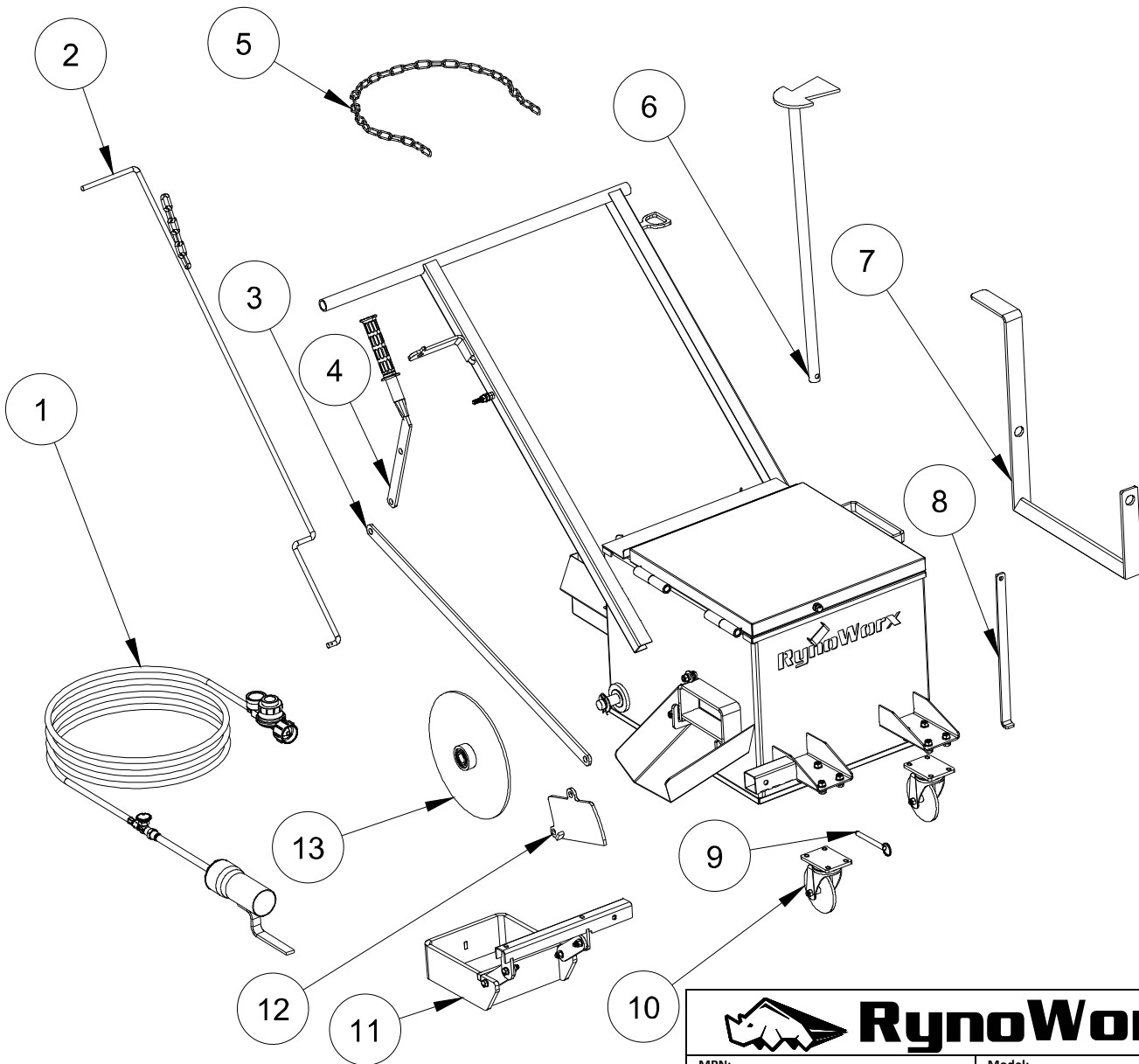


No	P/N	Description
1	RA-GCM-0015	Torch Complete Assembly
2	RC-FAB-0125	Shoe Control Arm - Mastic Applicator
3	RC-FAB-0126	Mastic Gate Valve - Horizontal Linkage
4	RA-GCM-0070	Mastic Gate Valve - Handle with Grip
5	RC-FAB-0009	Propane Tank Securing Chain
6	RC-FAB-0106	Mastic Kettle Hoe
7	RC-FAB-0107	Mastic Kettle - Agitation Sweep Bar
8	RC-FAB-0101	Melter Lid Support Slider
9	RC-PIN-0013	3/8" Steel Ring-Grip Quick-Release Pin - ZP
10	RA-WHL-0005	Front Caster Assembly - 4 Bolt Style
11	RA-BAS-0055	8" Shoe Assembly - Mastic Applicator
12	RC-FAB-0127	Gate Valve - Mastic Applicator
13	RA-WHL-0008	Rear Wheel Assy with Bearings - Melter Applicator



RynoWorx

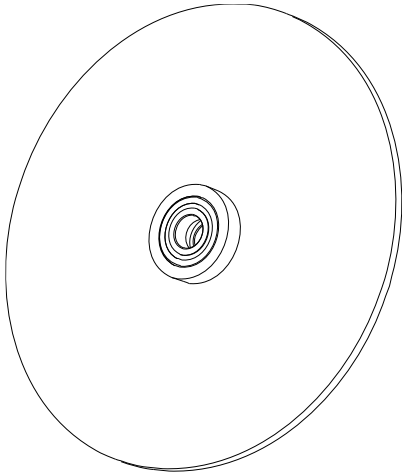
MPN:
RA-MLT-0011

Model:
RY10MS

Description:
10 Gallon Mastic Applicator Torch Model

• Replacement Parts

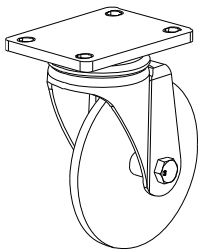
RA-WHL-0008 - Rear Wheel with Bearings



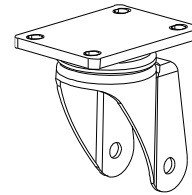
RC-BRG-0001 - Wheel Bearing for Melter Applicator Rear Wheel



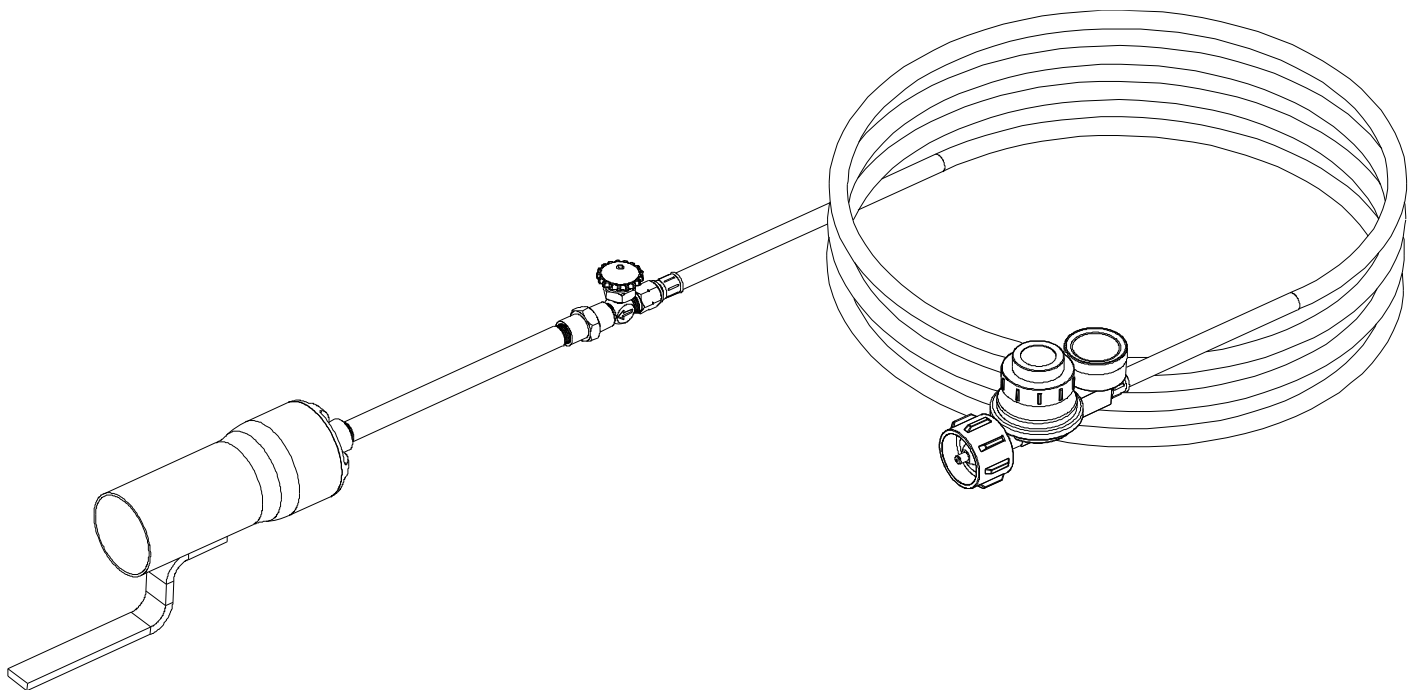
RA-WHL-0005 - Front Caster with Wheel



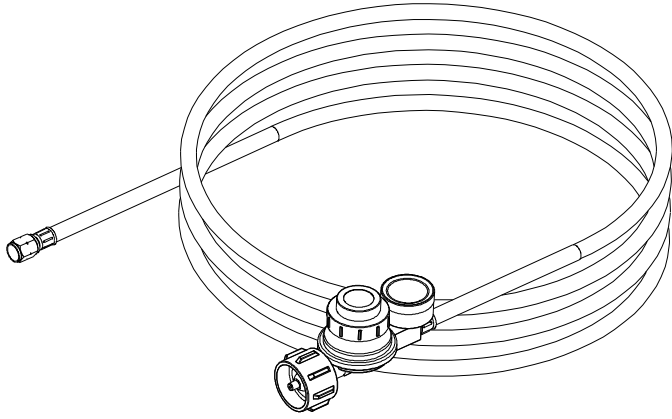
RC-WHL-0014 - 4 Bolt Caster Swivel



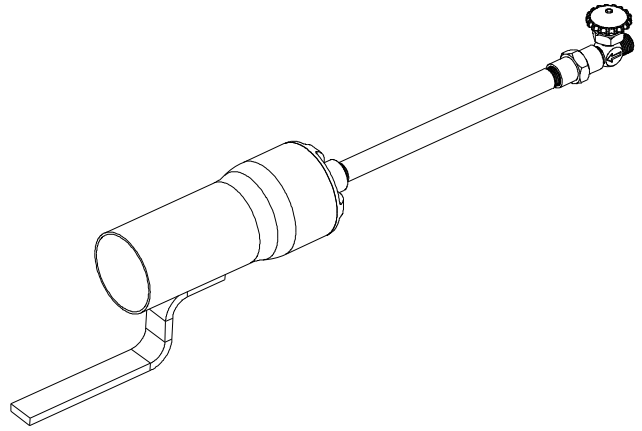
RA-GCM-0015 - Torch Complete Assembly



RC-GCM-0068 - Regulator and Hose - 0 - 30 Psi with Pressure Gauge (10' Hose)



RC-GCM-0016 - Torch for Melter Applicator with Valve



RC-STK-0001 - Flint Striker

