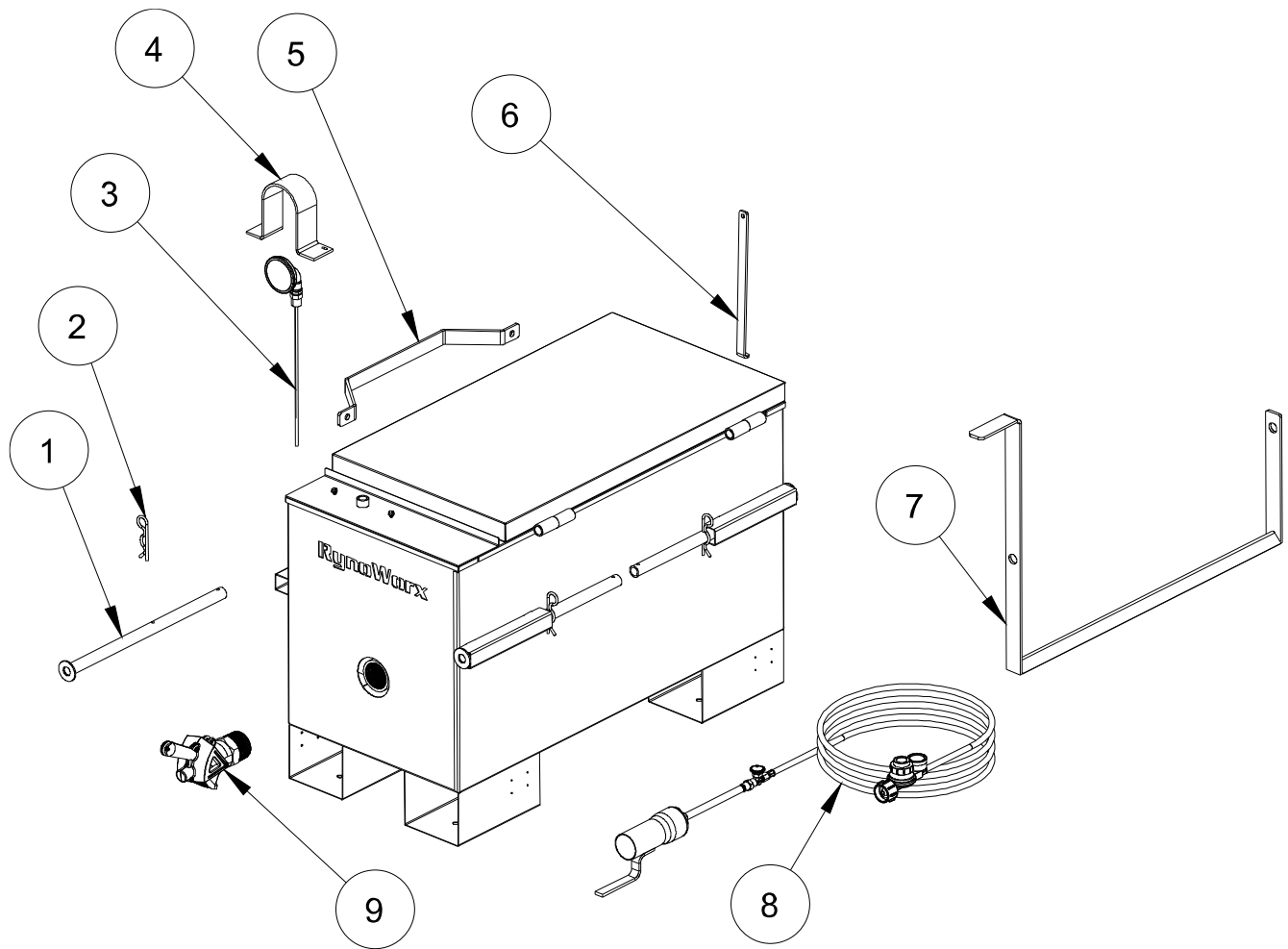


No	P/N	Description
1	RC-FAB-0103	30MK Removable Body Handle
2	RC-PIN-0011	Hairpin Cotter Pin - 30MK Kettle Body Handles
3	RC-GCM-0067	Thermometer - 16.5" Probe - Shock Proof Liquid Filled
4	RC-FAB-0010	Thermometer Guard Bracket
5	RC-FAB-0102	30MK Removable Lid Handle
6	RC-FAB-0101	Melter Lid Support Slider
7	RC-FAB-0086	Agitation Sweep Bar - RY30MK-PRO-V1
8	RA-GCM-0015	Torch Complete Assembly
9	RA-VLV-0003	2" NPT Molasses Valve Assembly



**RynoWorx**

MPN:  
RA-MLT-0010

Model:  
RY30MK

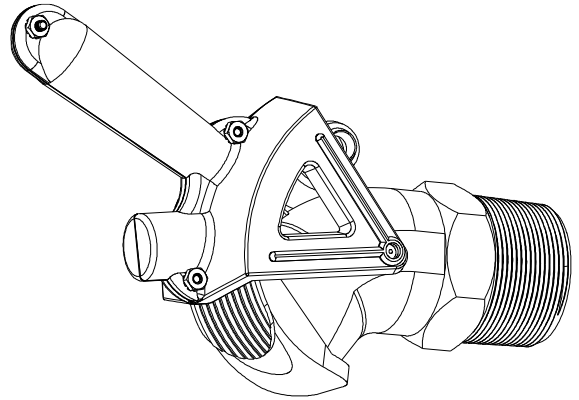
Description:  
30 Gallon Melter Kettle Torch Model

• Replacement Parts

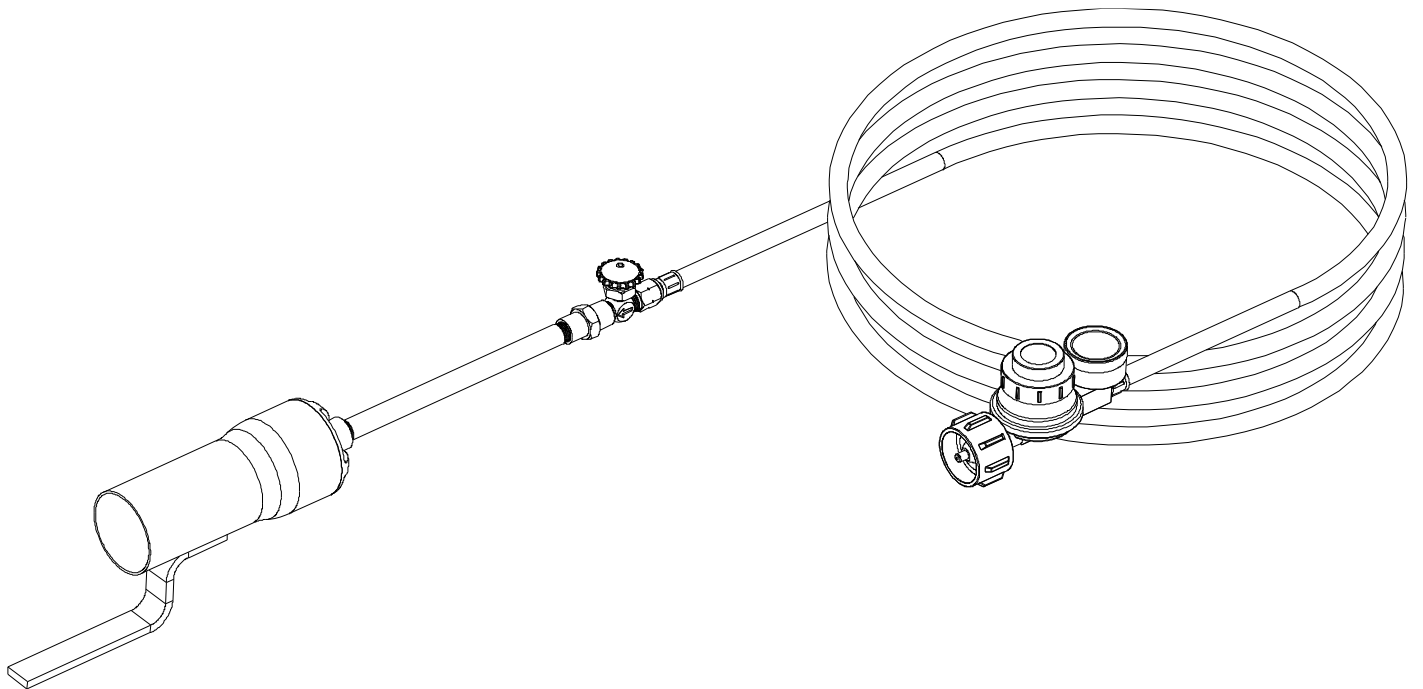
RA-GCM-0067 - Thermometer - 16.5" Probe - Shock Proof



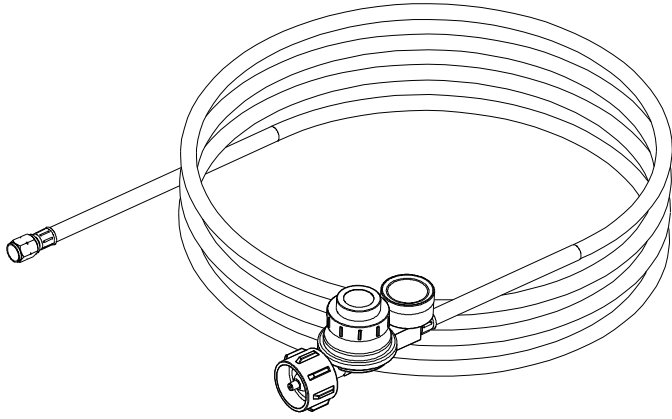
RA-VLV-0003 - 2" NPT Molasses Valve



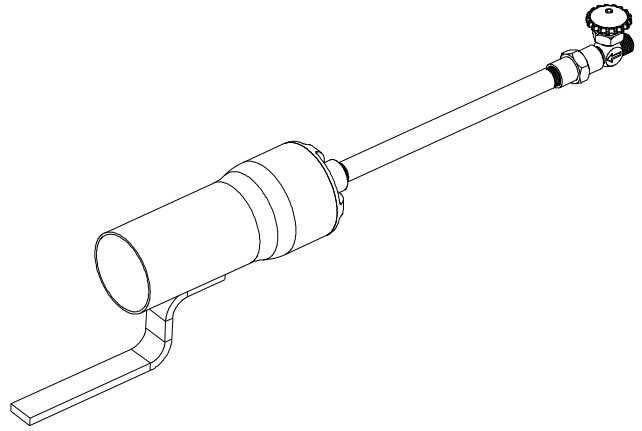
RA-GCM-0015 - Torch Complete Assembly



RC-GCM-0068 - Regulator and Hose - 0 - 30 Psi with Pressure Gauge (10' Hose)



RC-GCM-0016 - Torch for Melter Applicator with Valve



RC-STK-0001 - Flint Striker

