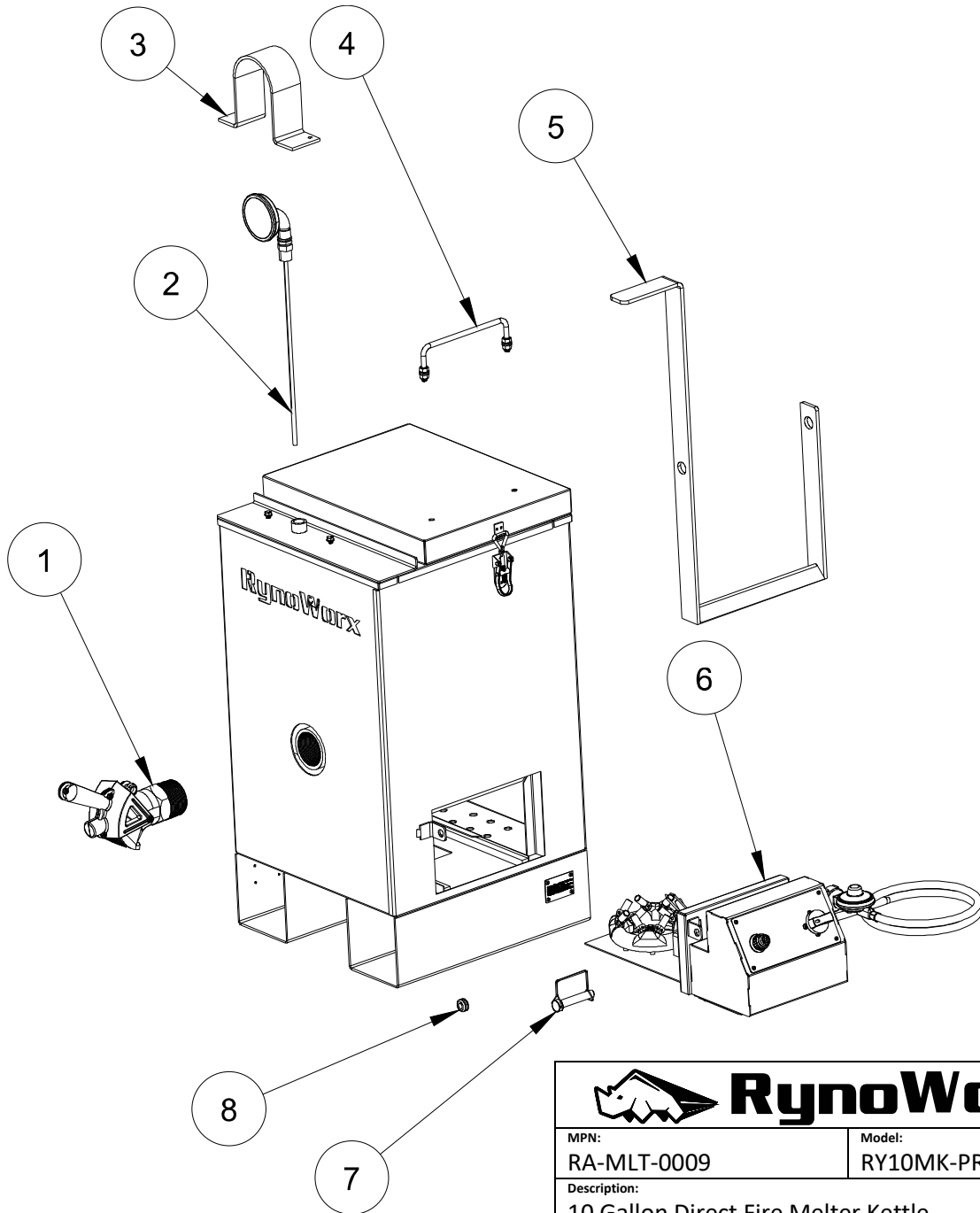

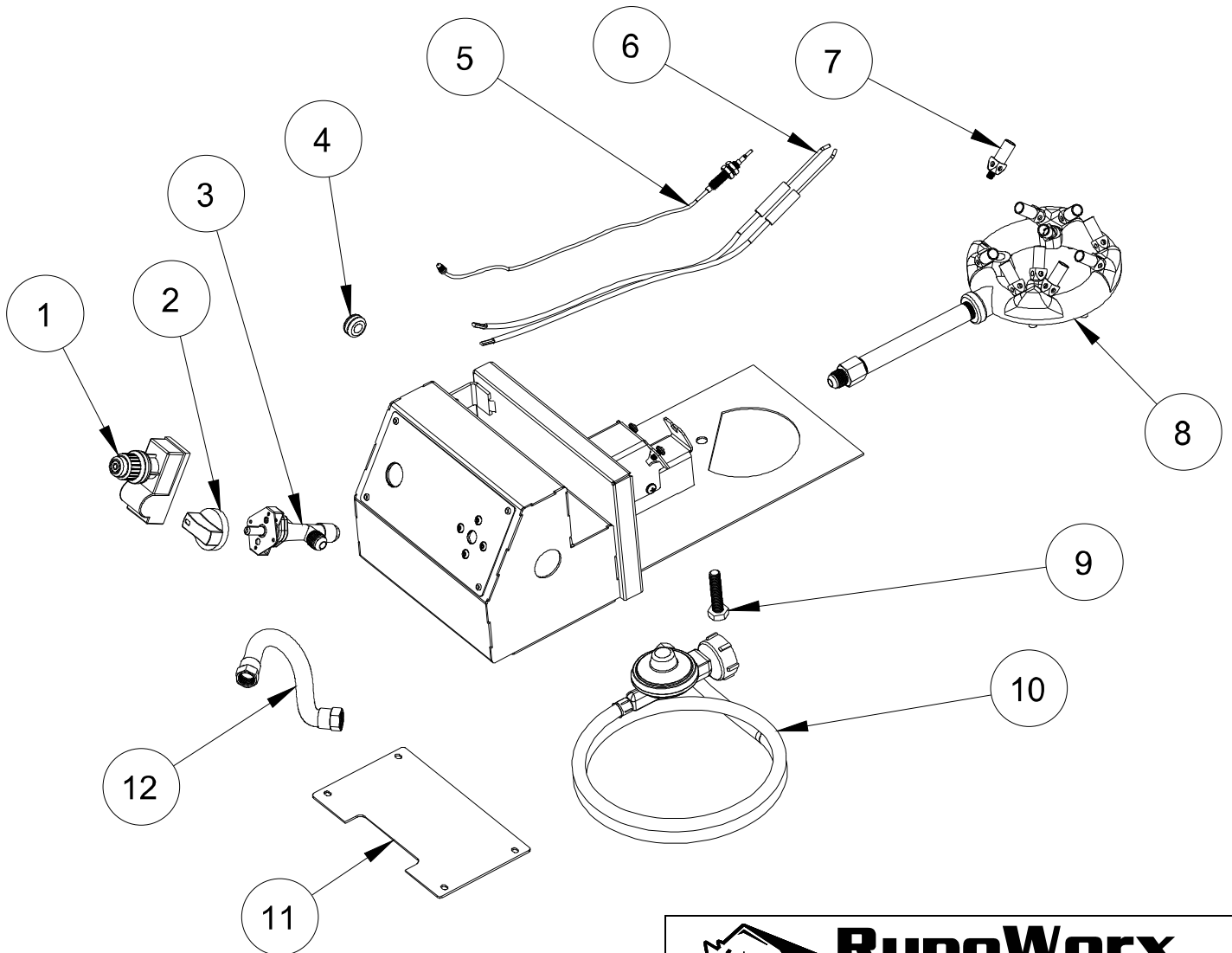



No	P/N	Description
1	RA-VLV-0003	2" NPT Molasses Valve Assembly
2	RC-GCM-0010	Thermometer - 14" Probe - Shock Proof Liquid Filled
3	RC-FAB-0010	Thermometer Guard Bracket
4	RA-BAS-0054	Removable Lid Handle - RY10MK-PRO - Lav
5	RC-FAB-0087	Agitation Sweep Bar - RY10MK-PRO-V1
6	RA-BAS-0043	Burner Tray Complete Assembly - Kettle Jet Burner
7	RC-PIN-0008	3/8" x 1-3/8" Lock Pin with Retainer
8	RC-GSK-0026	SBR Rubber Push-In Grommet for 1/2" ID and 3/32"



 RynoWorx	
MPN: RA-MLT-0009	Model: RY10MK-PRO
Description: 10 Gallon Direct Fire Melter Kettle Burner Model with Adjustable Flame-Out Valve	

No.	P/N	Description
1	RA-GCM-0005	Electronic Ignitor Switch Assembly
2	RC-GCM-0063	Zinc Alloy Knob H-20 (Short)
3	RA-VLV-0014	Low Pressure Flame Out Valve - 3/8" Male Flare Fittings
4	RC-GSK-0026	SBR Rubber Push-In Grommet for 1/2" ID and 3/32"
5	RC-GCM-0052	Thermocouple - M8x1mm Thread
6	RC-GCM-0054	Double Ignition with 2 Wires
7	RC-FAB-0091	Brass Jet - M8 x 1.0 (#70 Orifice)
8	RA-BRN-0004	Jet Burner Assembly
9	RC-HDW-0035	M10 x 1 mm Hex Head Cap Screw- 45 mm, Fully Threaded
10	RC-GCM-0053	Low Pressure Propane Regulator with 6' Hose
11	RC-FAB-0082	Jet Burner Control Panel Bottom Cover - V1
12	RC-HSE-0022	3/8" Female Flare - 220 mm Corrugated Hose



 RynoWorx	
MPN: RA-MLT-0008	Model: RY30MK-PRO
Description: 30 Gallon Direct Fire Melter Kettle Dual Burner Model with Independently Controlled Flame-Out Valves	