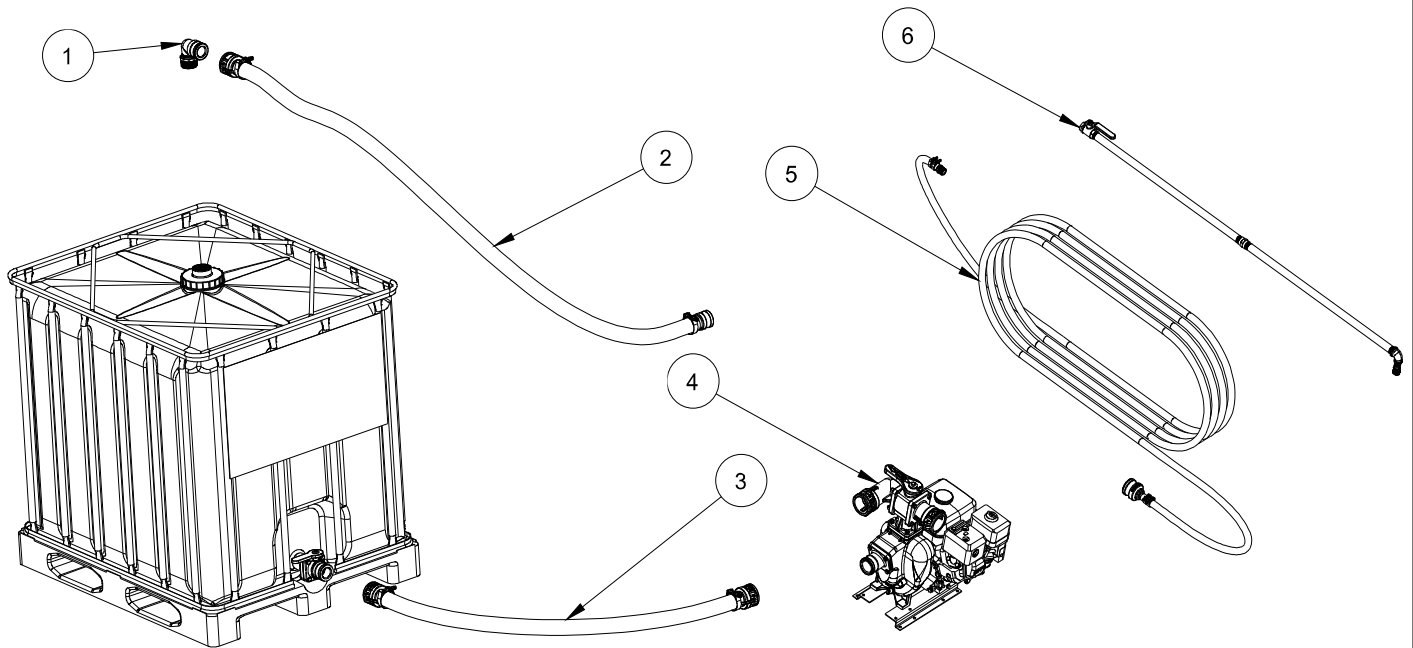


No	P/N	Description
1	RC-FIT-0043	2" NPT Barrel Adapter 90 2" Male Camlock Body
2	RA-HFA-0005	2" Tote Return Hose (10') with Fitting Assembly
3	RA-HFA-0004	2" Tote Suction Hose (5') with Fitting Assembly
4	RA-EPF-0003	Engine Pump Fittings Assembly - Pro
5	RA-HFA-0001	3/4" x 50' Spray Wand Hose Assembly
6	RK-SWA-0004	6' x 3/4" Commercial Spray Wand Assy w Ball Valve



(Tote Not Included)



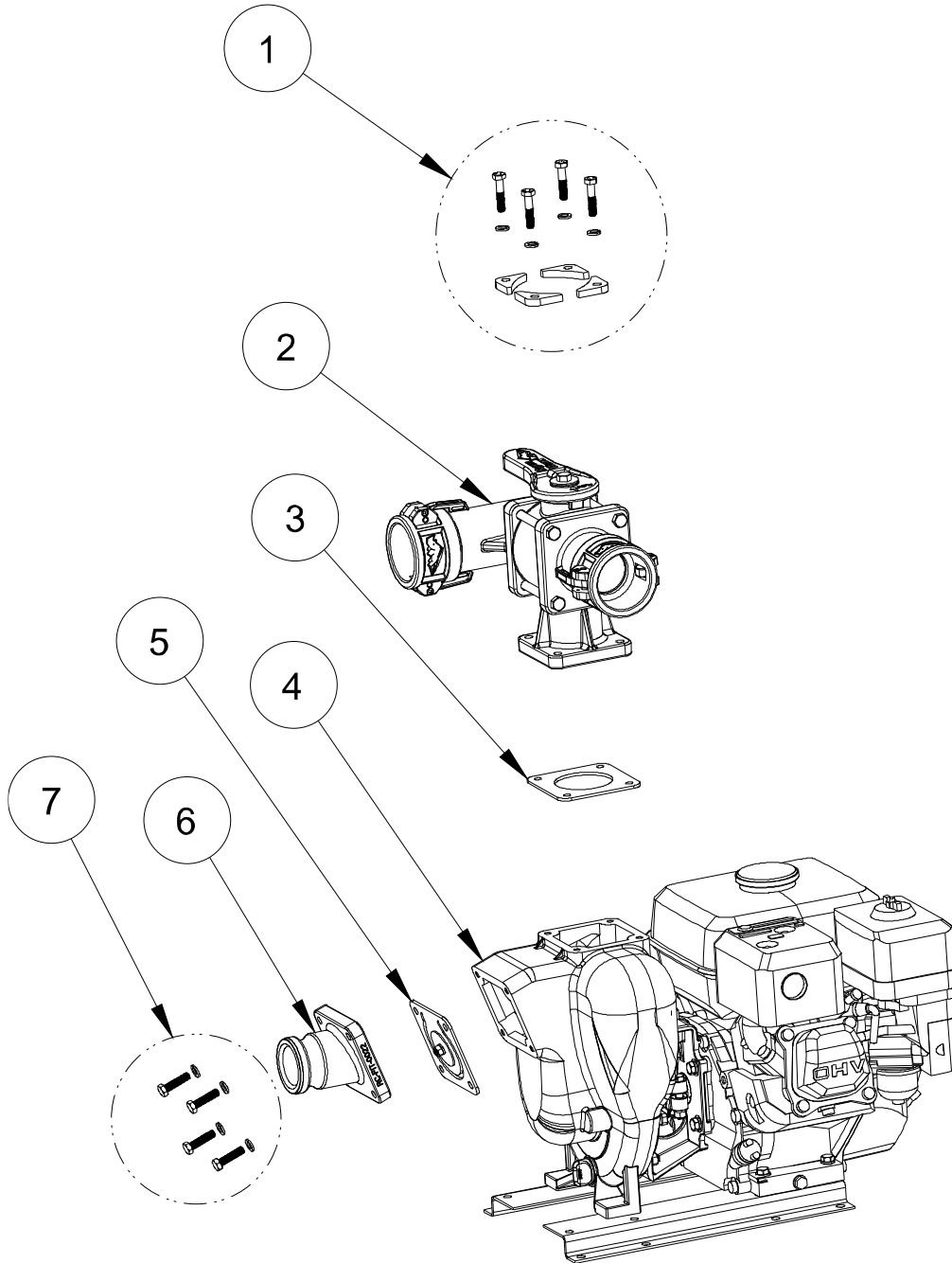
RynoWorx

MPN:
RA-SSY-0012

Model:
RYTSS – Professional Model

Description:
Tank: 275 Gallon Tote
Engine: Honda
Pump: Cast Iron

No	P/N	Description
1	RK-FAS-0039	Fastener Kit - Cast Iron Pump Flange with Braces
2	RA-VLV-0010	3 Way 2" Straight-90° Female Camlock Flange Valve
3	RC-GSK-0030	2" Custom Pump Flange Gasket - Red SBR Dur 80 Fabric Finish
4	RA-EPA-0003	Engine Pump Assembly - Pro
5	RC-FIT-0022	2" Angled Male Camlock flange
6	RK-FAS-0022	Fastener Kit - Pump Flange mounting Kit



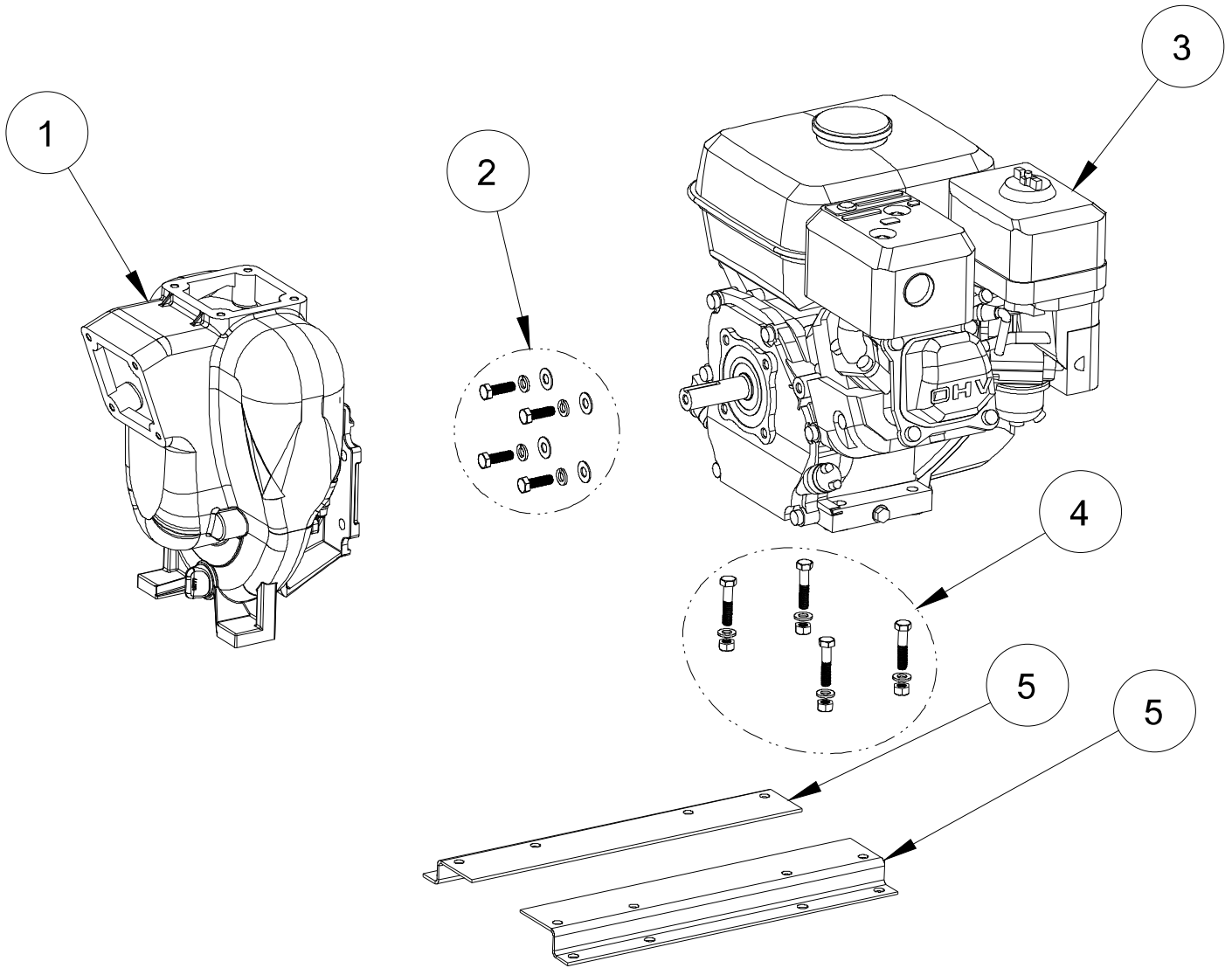
RynoWorx

MPN:
RA-EPF-0003

Model:
Engine Pump – Professional

Description:
Engine: Honda
Pump: Cast Iron

No	P/N	Description
1	RA-PMP-0001	2" Cast Iron Centrifugal Pump Assembly w Viton Seals
2	RK-FAS-0031	Fastener Kit - Engine to Pump (Honda)
3	RA-ENG-0002	Honda GX160QX Gas Engine, 3/4" Keyed Shaft
4	RK-FAS-0023	Fastener Kit - Pump/ Engine to Mounting Bracket
5	RC-FAB-0036	Pump /Engine Mounting bracket



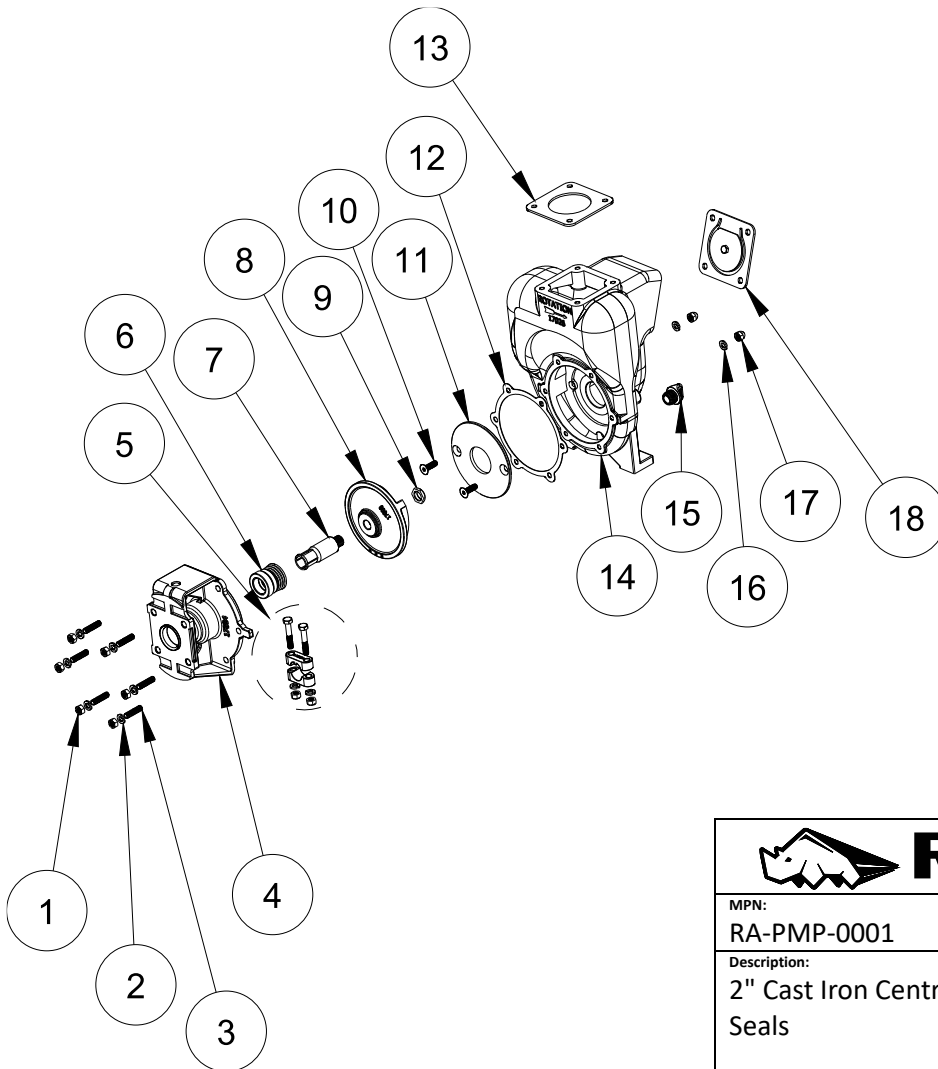
RynoWorx

MPN:
RA-EPA-0003

Model:
Engine Pump – Professional

Description:
Engine: Honda
Pump: Cast Iron

No.	P/N	Description
1	RC-NUT-0008	5/16"-18 Nut
2	RC-WSH-0009	5/16" Split Lock Washer-ZP
3	RC-HDW-0021	Stud - 5/16" - 18x 1 1/4"
4	RC-FAB-0038	Adapter-Gas Engine
5	RC-CLM-0004	Clamp Assembly, 5/8, 3/4" Shaft
6	RC-GCM-0033	Viton/Tungsten Seal Assembly 3/4" shaft
7	RC-GCM-0034	Sleeve-Drive 3/4"
8	RC-FAB-0042	Impeller - Cast Iron Pump
9	RC-NUT-0013	Nut. Hex 5/8-18 UNF_RH
10	RC-HDW-0023	Flat Head 82° CSK. Screw
11	RC-FAB-0040	Wear Plate
12	RC-GSK-0015	Gasket-Adapter
13	RC-GSK-0030	2" Custom Pump Flange Gasket
14	RC-FAB-0041	Pump Housing, Cast Iron
15	RC-GCM-0036	1/2" Drain Plug- Cast Iron Pump
16	RC-GSK-0017	Acorn Nut O-Ring
17	RC-NUT-0014	5/16"-18 Acorn Nut-ZP
18	RC-GSK-0014	Pump Flange Gasket - Pump Inlet Port



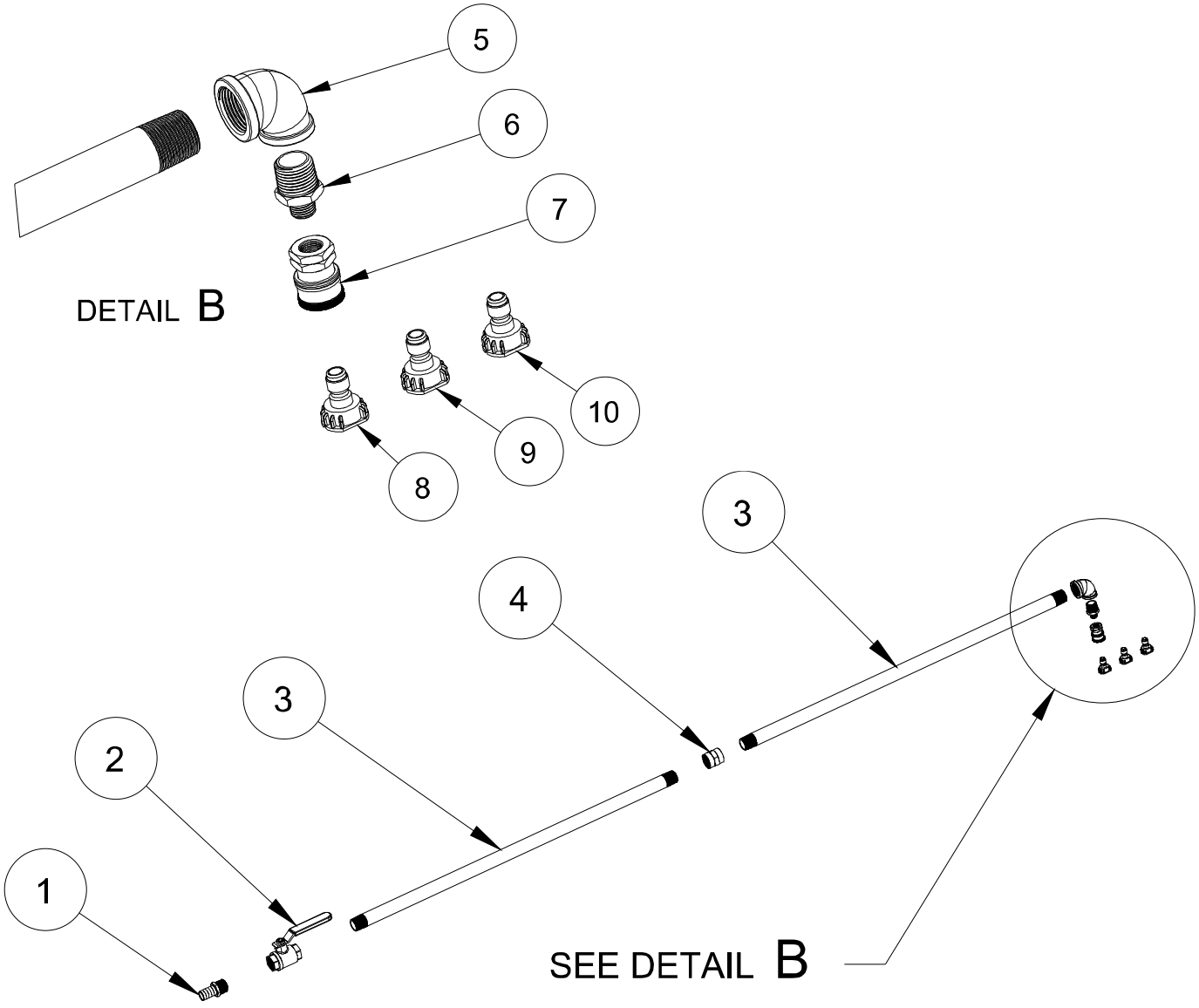
RynoWorx


MPN:
RA-PMP-0001

Model:
2" Cast Iron Pump

Description:
2" Cast Iron Centrifugal Pump Assembly w Viton
Seals

No	P/N	Description
1	RC-FIT-0025	3/4" Barb to 3/4" NPT Swivel Fitting
2	RC-VLV-0009	3/4" NPT Brass Full Port Ball Valve
3	RC-PIP-0003	30" - 3/4" Threaded NPT Aluminum Tube
4	RC-FIT-0010	3/4" NPT Brass Coupler
5	RC-FIT-0011	90° Female 3/4" to 1/2" NPT Elbow
6	RC-FIT-0012	1/2" to 1/4" NPT Brass Nipple
7	RC-FIT-0013	1/4" NPT Quick Connector
8	RC-STP-0002	Quick Connect Spray Tip (2 GPM)
9	RC-STP-0003	Quick Connect Spray Tip (3 GPM)
10	RC-STP-0004	Quick Connect Spray Tip (4 GPM)



 Ryno Worx	
MPN: RK-SWA-0004	Model: Spray Wand – Ball Valve
Description: 3/4" Commercial Spray Wand Assembly with Swivel	