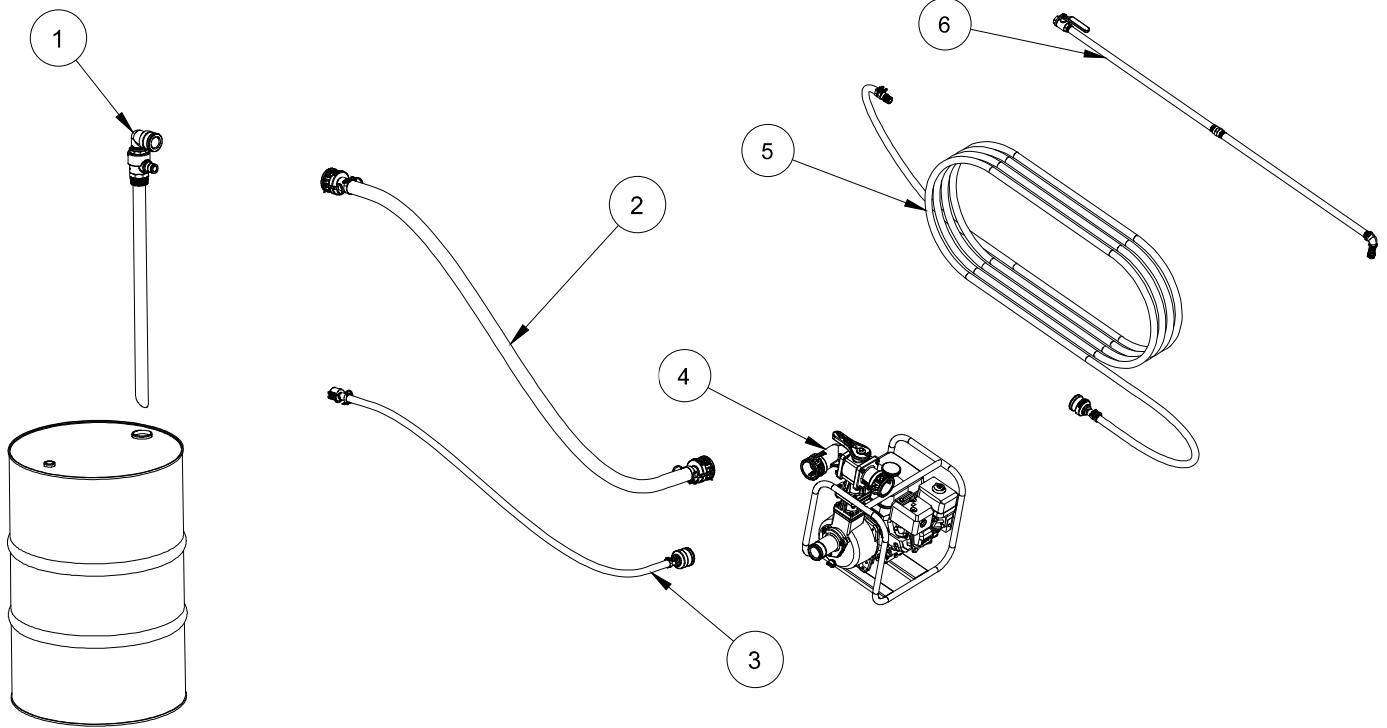


No	P/N	Description
1	RA-FIT-0030	2" NPT Barrel Adapter Assembly
2	RA-HFA-0007	3/4" Barrel System Return Hose Assembly with Fittings
3	RA-HFA-0025	1.5" Barrel System Intake Hose Assembly with Fittings
4	RA-EPF-0002	Engine Pump Fittings Assembly - Base Portable
5	RA-HFA-0001	3/4" x 50' Spray Wand Hose Assembly
6	RK-SWA-0004	6' x 3/4" Commercial Spray Wand Assy w Ball Valve



(Barrel Not Included)



RynoWorx

MPN:

RA-SSY-0005

Model:

RYBSS – Base Model

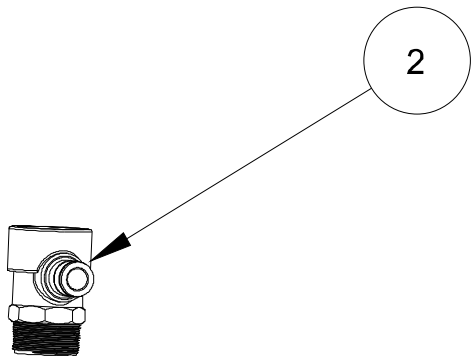
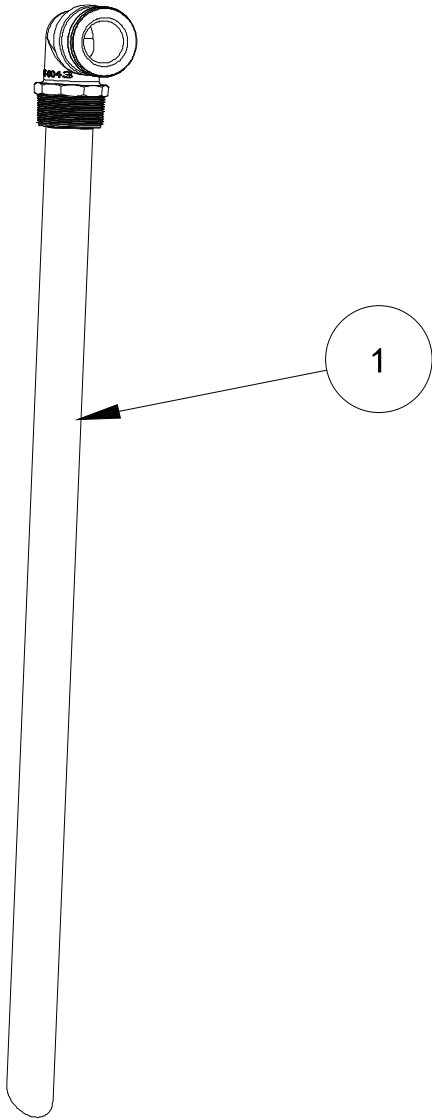
Description:


Tank: 55 Gallon Barrel

Engine: Launtop

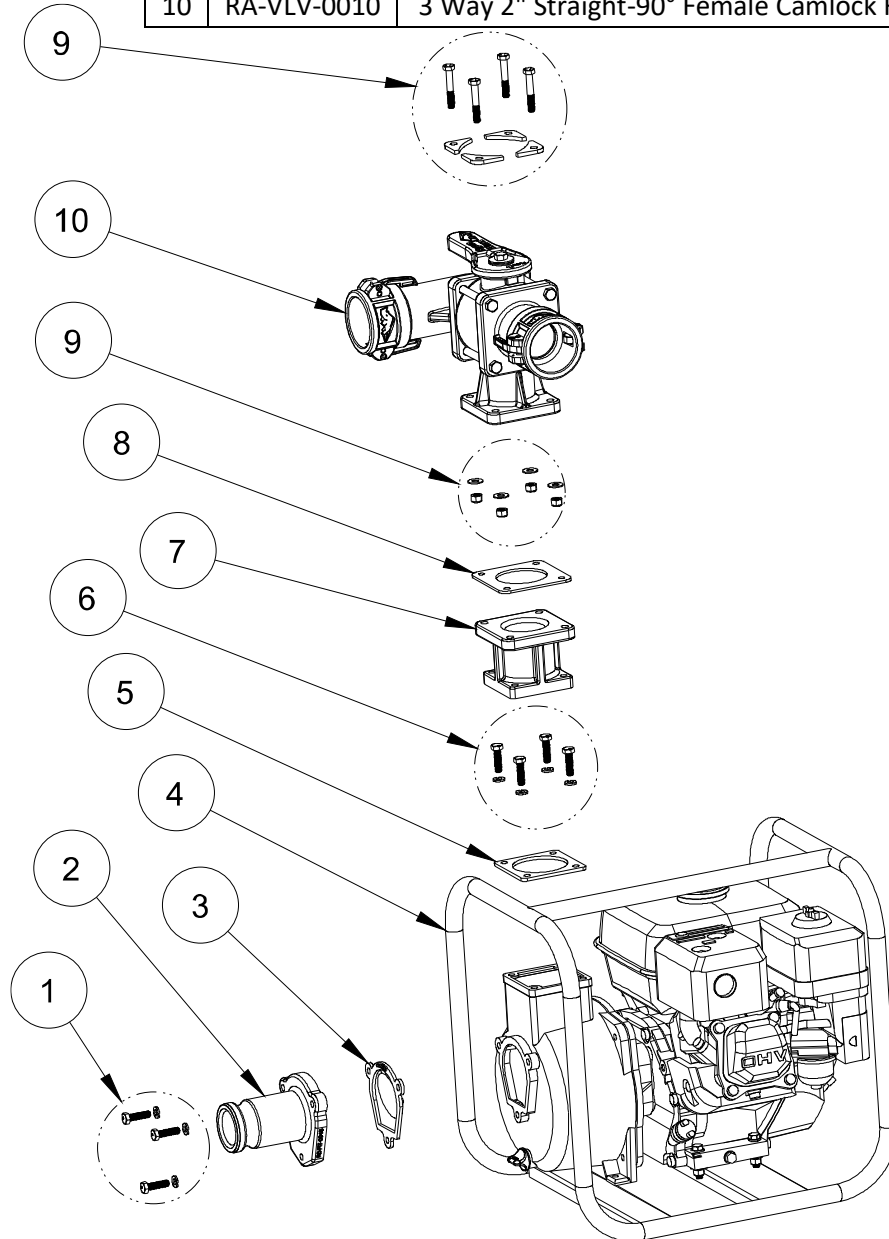
Pump: Aluminum

No	P/N	Description
1	RC-FIT-0042	2" NPT Barrel Adapter Tee Body
2	RA-FIT-0032	2" NPT Barrel Adapter/Transfer 90° Male Cam Asy



 RynoWorx	
MPN: RA-FIT-0030	Model: Barrel Adapter Assembly
Description: 2" Barrel Adapter assembly	

No	P/N	Description
1	RK-FAS-0028	Fastener Kit - Aluminum Pump Intake Flange
2	RC-FIT-0045	2" Male Camlock to Aluminum Pump Flange
3	RC-GSK-0025	Aluminum Pump Intake Gasket
4	RA-EPA-0002	Engine Pump Assembly - Base
5	RC-GSK-0024	Aluminum Pump Outlet Gasket
6	RK-FAS-0029	Fastener Kit - Aluminum Pump Outlet Flange Adapter
7	RC-FIT-0046	Aluminum Pump To 3 Way Valve Flange Adapter
8	RC-GSK-0030	2" Custom Pump Flange Gasket - Red SBR Dur 80 Fabric Finish
9	RK-FAS-0038	Fastener Kit - Aluminum Pump Flange with Braces
10	RA-VLV-0010	3 Way 2" Straight-90° Female Camlock Flange Valve



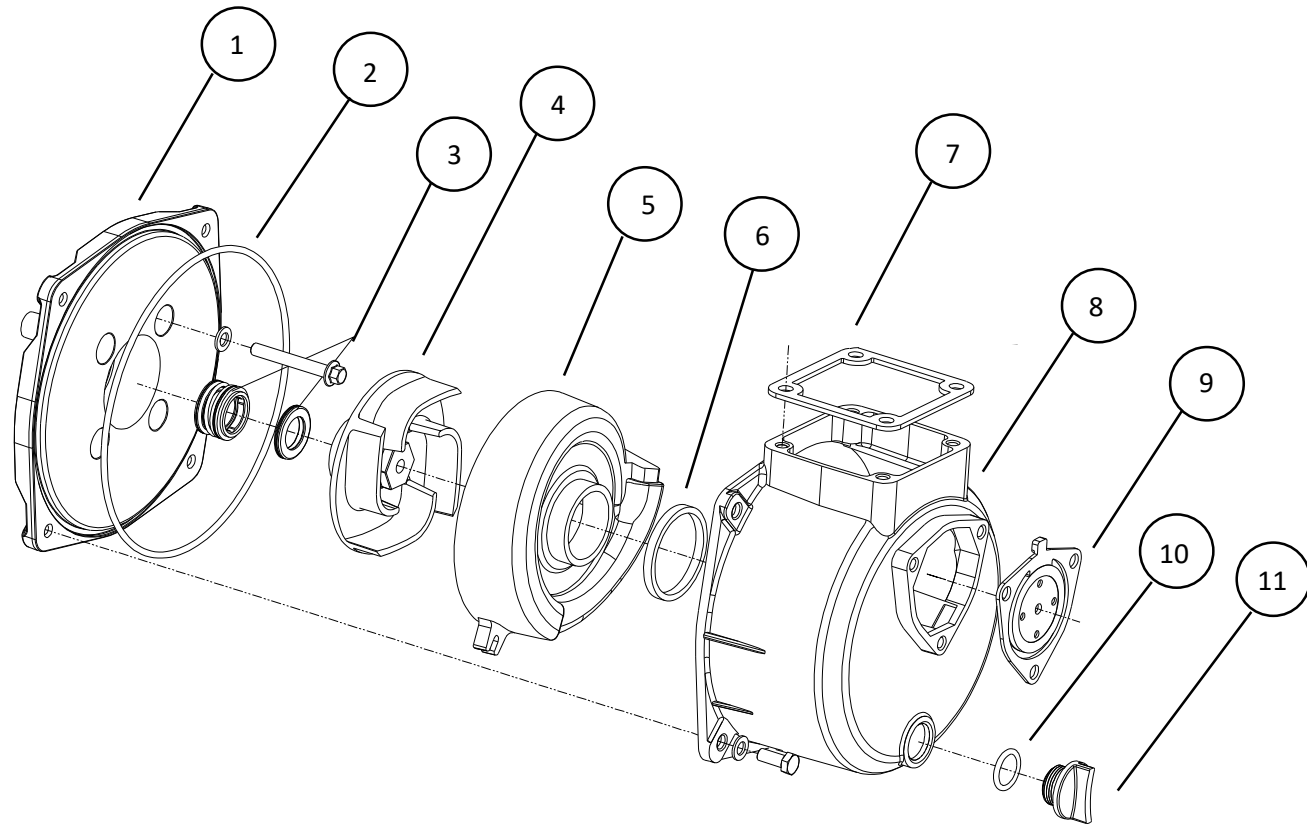
RynoWorx


MPN:
RA-EPF-0002

Model:
Engine Pump – Base

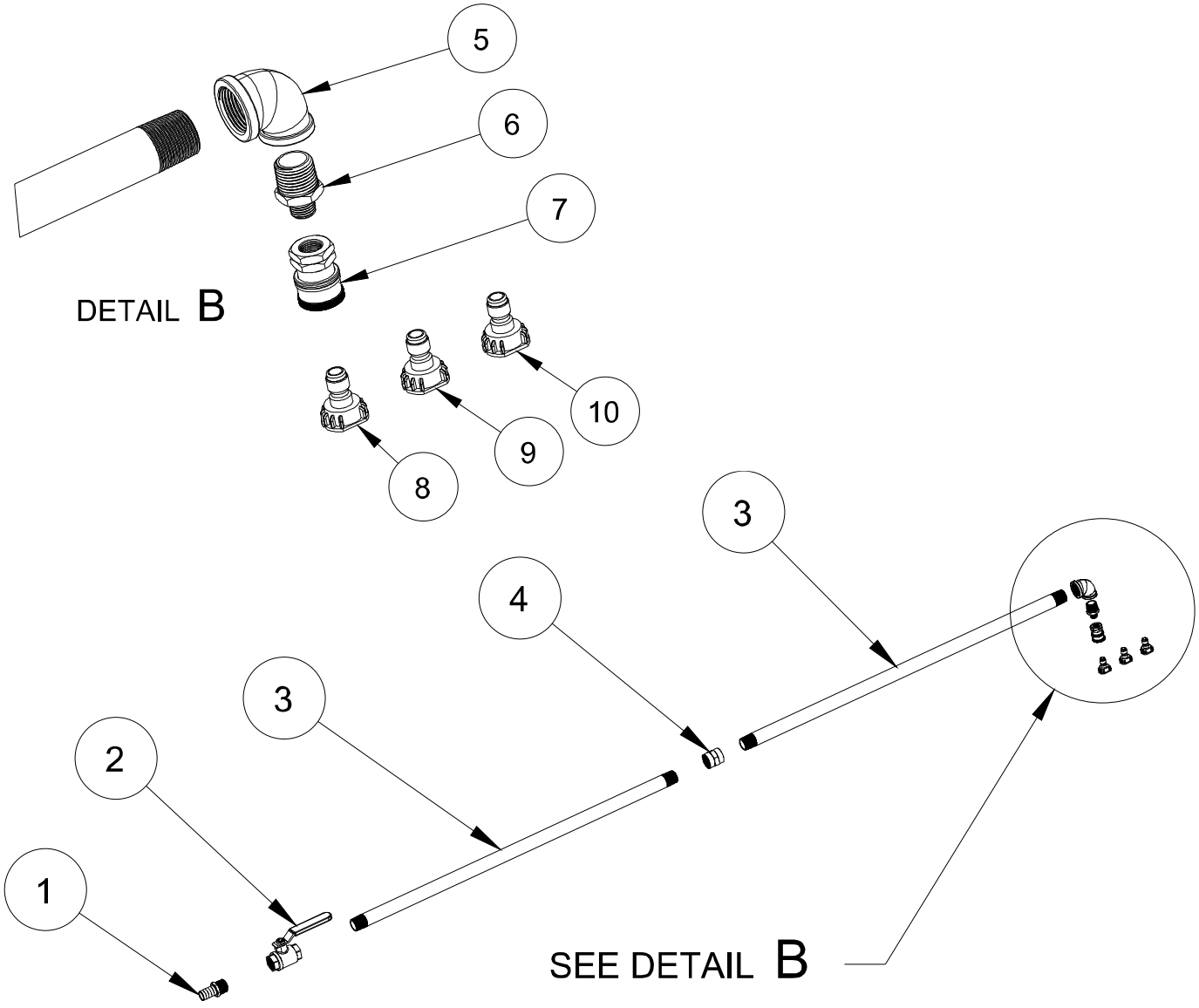
Description:
Engine: Launtop
Pump: Aluminum


No.	P/N	Description
1	RC-FAB-0058	Aluminum Pump Rear Housing
2	RC-GSK-0021	Aluminum Pump Housing Seal
3	RC-GCM-0047	Aluminum Pump Mechanical Seal/Ceramic
4	RC-FAB-0059	Aluminum Pump Impeller
5	RC-FAB-0060	Eddy Shell
6	RC-GSK-0022	Eddy Shell Seal
7	RC-GSK-0024	Aluminum Pump Outlet Gasket
8	RC-FAB-0061	Aluminum Pump Front Housing
9	RC-GSK-0025	Aluminum Pump Intake Gasket
10	RC-GSK-0023	Aluminum Pump Plug O-Ring
11	RC-GCM-0048	Aluminum Pump Plug



 RynoWorx	
MPN: RA-PMP-0002	Model: 2" Aluminum Pump
Description: 2" Aluminum Centrifugal Pump Assembly w Ceramic Seals	

No	P/N	Description
1	RC-FIT-0025	3/4" Barb to 3/4" NPT Swivel Fitting
2	RC-VLV-0009	3/4" NPT Brass Full Port Ball Valve
3	RC-PIP-0003	30" - 3/4" Threaded NPT Aluminum Tube
4	RC-FIT-0010	3/4" NPT Brass Coupler
5	RC-FIT-0011	90° Female 3/4" to 1/2" NPT Elbow
6	RC-FIT-0012	1/2" to 1/4" NPT Brass Nipple
7	RC-FIT-0013	1/4" NPT Quick Connector
8	RC-STP-0002	Quick Connect Spray Tip (2 GPM)
9	RC-STP-0003	Quick Connect Spray Tip (3 GPM)
10	RC-STP-0004	Quick Connect Spray Tip (4 GPM)



 Ryno Worx	
MPN: RK-SWA-0004	Model: Spray Wand – Ball Valve
Description: 3/4" Commercial Spray Wand Assembly with Swivel	